

Gripper screws hexagonal

Item description/product images



Description

Material:

Hex head screw, grade 10.9.
Serrations carbide, hardness 72-74 HRC.

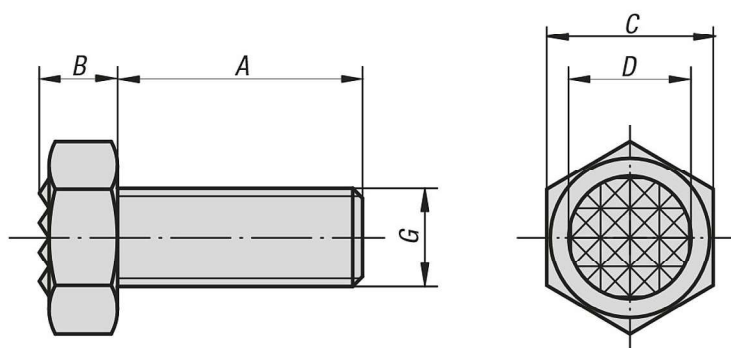
Version:

Black oxidised.

Note:

The serrated carbide tips are soldered in.

Drawings



Overview of items

Gripper screws hex head

Order No.	A	B	C	D	G	Serration
K0386.1006	25	5	10	7,9	M6	extra fine
K0386.1308	25	6,4	13	9,5	M8	fine
K0386.1710	25	8,3	17	12,7	M10	fine
K0386.17102	40	8,3	17	12,7	M10	fine
K0386.1912	25	8,7	19	15,9	M12	fine
K0386.19122	40	8,7	19	15,9	M12	fine
K0386.2416	35	11	24	19	M16	fine
K0386.24162	50	11	24	19	M16	fine
K0386.3020	40	13,7	30	25,4	M20	extra fine
K0386.30202	60	13,7	30	25,4	M20	extra fine