

Removable locating pins Forms B and D

Item description/product images



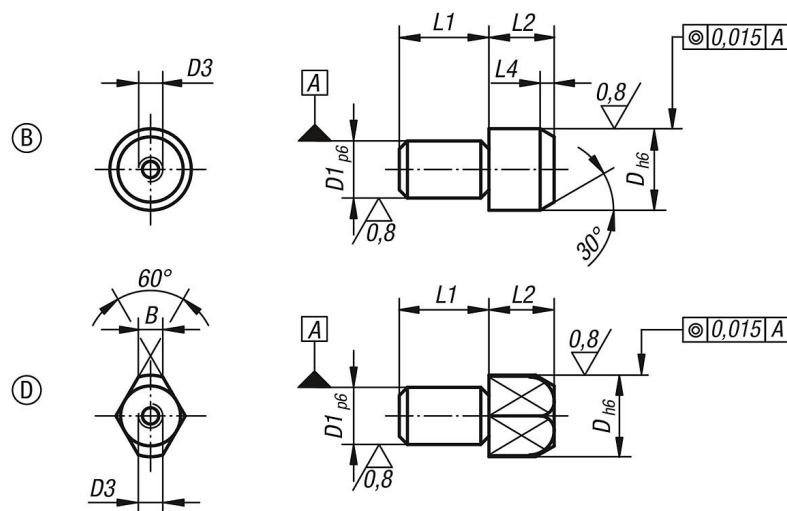
Description

Material:
Tool steel.

Version:
Hardened and ground (HRC 55-60).

Note:
Locating pins can be easily removed with an extractor.

Drawings



Overview of items

Locating pins Form B and D

Order No. Form B	Order No. Form D	D	D1	D3	L1	L2	L4	B
K0818.10	K0818.102	10	7	M3	11	11	3	-/3
K0818.12	K0818.122	12	8	M5	13	12	4	-/3,5
K0818.16	K0818.162	16	12	M5	18	14	4,5	-/5
K0818.20	K0818.202	20	14	M5	22	15	5	-/6
K0818.22	K0818.222	22	16	M5	22	17	5	-/7
K0818.25	K0818.252	25	18	M5	25	17	5	-/8