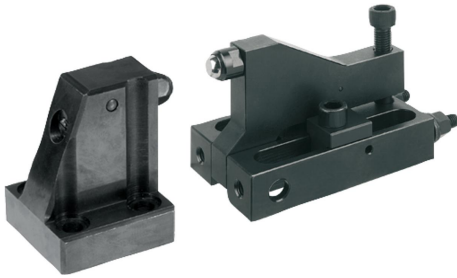


Side clamps

Item description/product images



Description

Material:

Body steel 1.1191.

Version:

Black oxidised.
Centring bush hardened.

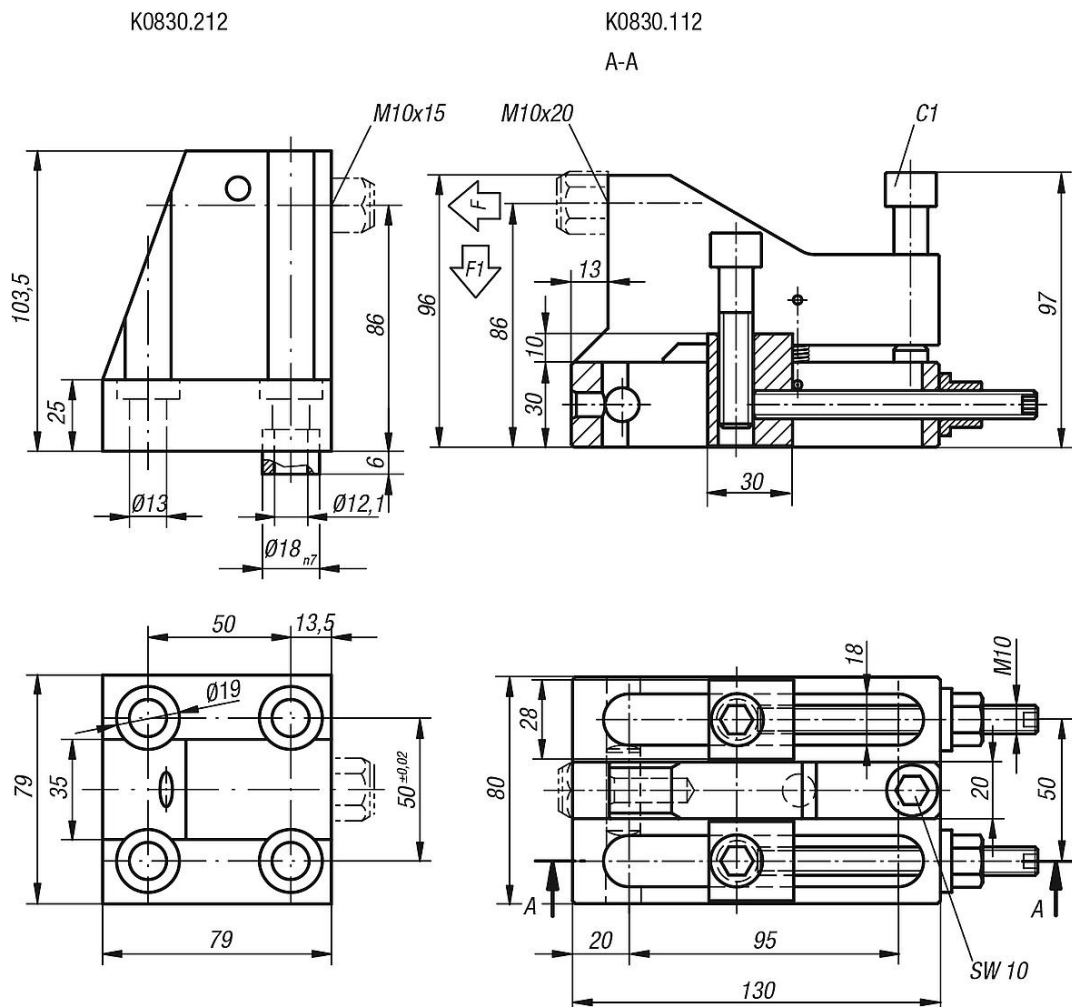
Note:

The unit comprises of an adjustable side clamp and a side stop and are used to clamp workpieces with a simultaneous positive down force. The side clamp has two DIN 913 grub screws which can be set to prevent backward slippage during clamping.

Note:

(self-aligning pad not supplied)

Drawings



Overview of items

Side clamps

Overview of items

Side clamps

Order No.	F N	F1 N	Tightening torque of screw C1 Nm
K0830.112	25000	5000	30
K0830.212	22500	4500	30