

## Bullseye levels in plastic frame

### Item description/product images



Winkelminute	Grad in Dezimalform	Höhenunterschied in Millimeter pro Meter
1'	0,0167°	0,291 mm
5'	0,0833°	1,455 mm
10'	0,1667°	2,910 mm
20'	0,3333°	5,820 mm
25'	0,4167°	7,275 mm
30'	0,5000°	8,730 mm
40'	0,6667°	11,640 mm
50'	0,8333°	14,550 mm
53'	0,8833°	15,423 mm

### Description

#### Material:

Frame PMMA.

Bullseye level body acrylic glass.

#### Version:

black.

#### Note:

Bubble levels are used as a type of zero indicator instrument for checking horizontal inclination in e.g. spirit levels, inclinometers, metrology instruments and machine constructions.

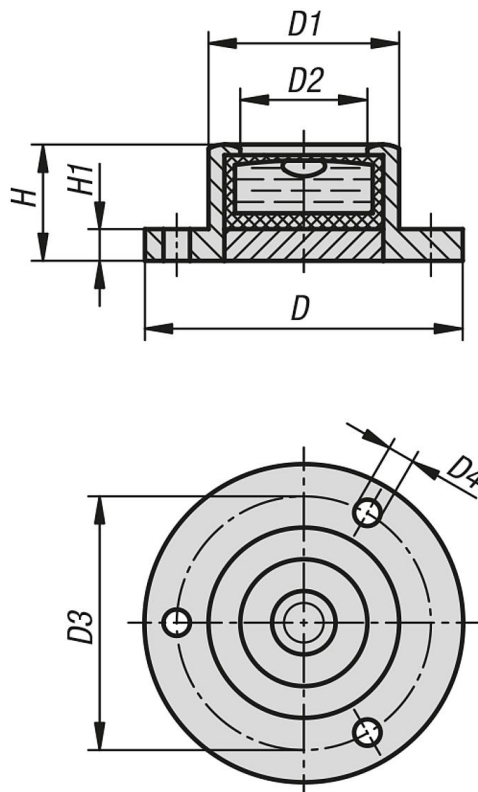
These bullseye levels can be mounted using the three fastening holes.

- Calibrated to the ground bottom face
- Sensitivity in angular minutes for 2 mm bubble travel
- Clear filling
- Black contrast ring
- White level base

#### Temperature range:

-35 °C up to +55 °C.

### Drawings



### Overview of items

## Bullseye levels in plastic frame

### Overview of items

---

#### Bullseye levels in a plastic frame

Order No.	D	D1	D2	D3	D4	H	H1	Sensitivity
K1153.171053	26	17	11	21,5	-	10	3	53'
K1153.201140	30	20	14	25	-	11	3	40'
K1153.241153	36	24	18,5	29	-	11	3	53'