

Bullseye levels in round frame

Item description/product images



Winkelminute	Grad in Dezimalform	Höhenunterschied in Millimeter pro Meter
1'	0,0167°	0,291 mm
5'	0,0833°	1,455 mm
10'	0,1667°	2,910 mm
20'	0,3333°	5,820 mm
25'	0,4167°	7,275 mm
30'	0,5000°	8,730 mm
40'	0,6667°	11,640 mm
50'	0,8333°	14,550 mm
53'	0,8833°	15,423 mm

Description

Material:

Frame brass.

Bullseye level body polyamide.

Version:

Nickel-plated and high-gloss polished.

Note:

Bubble levels are used as a type of zero indicator instrument for checking horizontal inclination in e.g. spirit levels, inclinometers, metrology instruments and machine constructions.

Form B can be fastened using a grub screw.

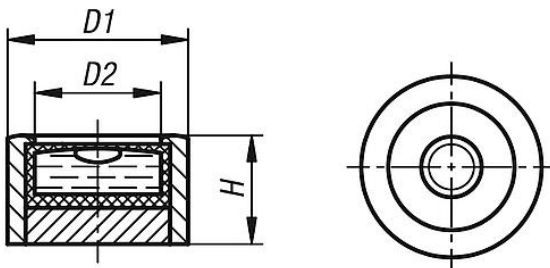
- Sensitivity in angular minutes for 2 mm bubble travel
- The bullseye level is calibrated to the seating face of frame
- Various threads are available
- Clear filling
- Black contrast ring
- White level base

Temperature range:

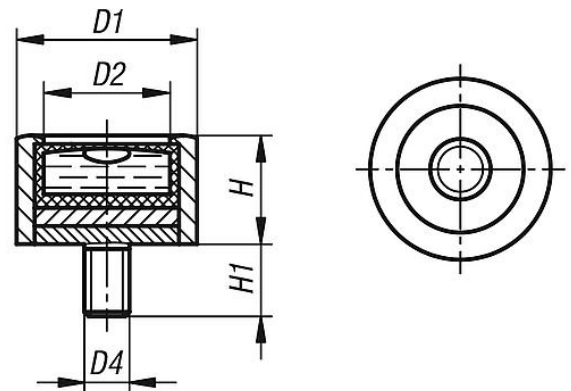
-35 °C up to +55 °C.

Drawings

Ⓐ



Ⓑ



Overview of items

Bullseye levels in a round frame

Order No.	Form	D1	D2	D4 Ø	H	H1	Sensitivity
K1155.1140930	A	14	10	-	9,5	-	30'
K1155.1181130	A	18	12	-	11	-	30'
K1155.1201230	A	20	14	-	12	-	30'
K1155.1301530	A	30	21	-	15	-	30'
K1155.2140730	B	14	10	-	7,5	5	30'
K1155.2181230	B	18	12	-	12	5	30'
K1155.2201230	B	20	14	-	12	8	30'

Bullseye levels in round frame

Overview of items

Order No.	Form	D1	D2	D4 Ø	H	H1	Sensitivity
K1155.2301530	B	30	21	-	15	10	30'