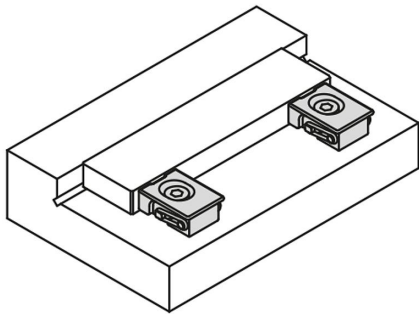
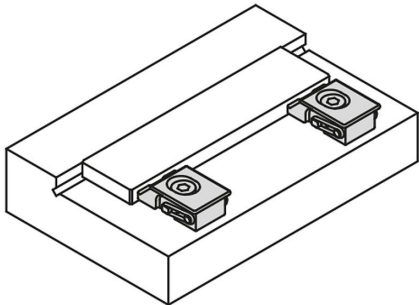


## Flat clamps

### Item description/product images



### Description

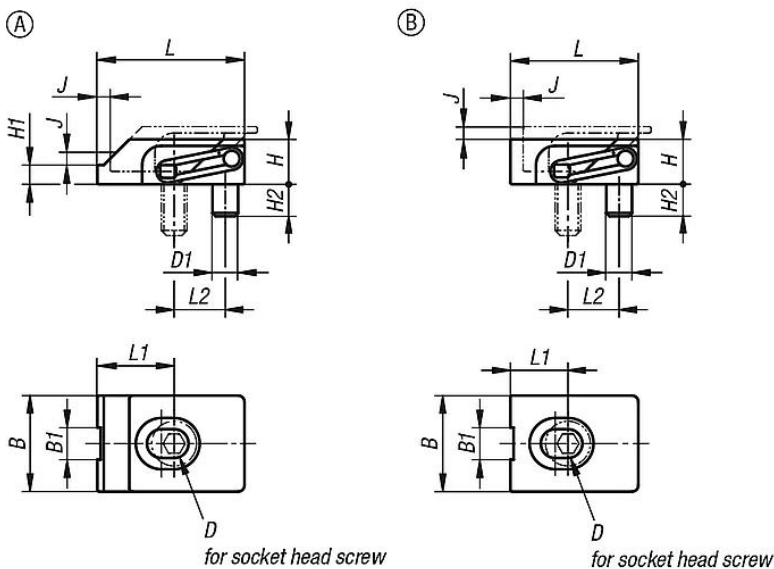
**Material:**  
Carbon steel.

**Version:**  
Hardened (33–39 HRC) and black oxidised.

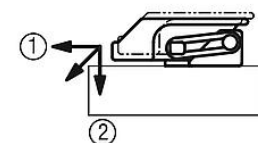
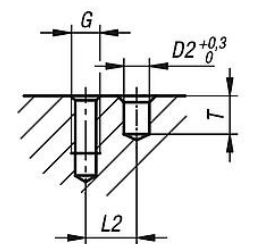
**Note:**  
Particularly low workpieces can be clamped using these flat clamps.  
Clamping element with pull-down effect.  
Clamping element and fixed block in one compact unit.

**Drawing reference:**  
Dimension L1 refers to clamped state.

### Drawings



### Installation instructions



- (Jaws exert positive down force)
- ① Horizontal thrust against workpiece
  - ② Vertical thrust prevents the workpiece lifting

## Overview of items

## Flat clamps

Order No.	Form	B	B1	D1	D2	G	H	H1	H2	J	L	L1	L2	T	Clamping force max. kN	Tightening torque max. Nm
K1168.104	A	15	5	4	4	M4	7	3	5	2	23	12	8	6	2	2,7
K1168.105	A	19	7	5	5	M5	9	4	6	2,5	28	14	10	7	3	5,4
K1168.204	B	15	5	4	4	M4	7	-	5	2	20	9	8	6	2,5	2,7
K1168.205	B	19	7	5	5	M5	9	-	6	2,5	25	11	10	7	3,5	5,4