

Wing screws for Hygienic USIT® sealing and shim washer Freudenberg Process Seals

Item description/product images



Description

Material:

Steel parts stainless steel 1.4404.

Version:

High-gloss polished.

Note:

The wing screw makes simple screw connections superbly feasible. They can be easily opened or re-tightened without tools.

The complete surface is polished to a high gloss with a surface finish of much less than Ra 0.8 µm. The contour is produced with generous radii and transitions. It doesn't matter in which position the wing grip is mounted, dirt and residue from products or cleaners seldom adheres. Easy cleaning is ensured.

The Hygienic USIT® sealing and shim washers from Freudenberg Process are used to seal the screw-on point. The shaft of the wing screw is specially designed to suit this seal. An almost cavity-free seal of the screw-on point is created which satisfies hygienic regulations.

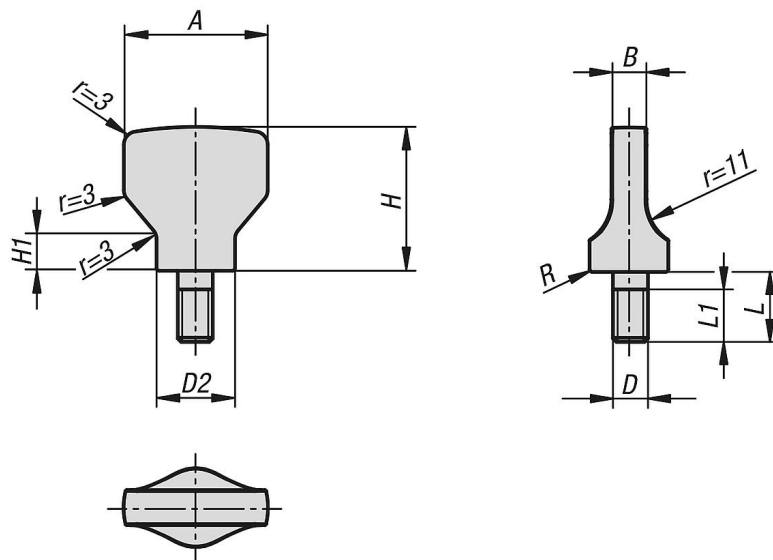
On request:

Other screw lengths and inch threads.

Accessory:

Hygienic USIT® sealing and shim washer K1491 for the screw-on surface.

Drawings



Overview of items

Wing screws for Hygienic USIT® sealing and shim washer Freudenberg Process Seals

Order No.	A	B	D	D2	H	H1	L	L1	R
K1313.2004X8	20	4	M4	10,8	19	5,3	8	7	0,45

Wing screws for Hygienic USIT® sealing and shim washer Freudenberg**Process Seals**

Overview of items

Order No.	A	B	D	D2	H	H1	L	L1	R
K1313.2105X10	21	5	M5	11,8	21	6	10	9	0,5
K1313.2506X12	25	6	M6	14,2	25	7	12	11	0,55
K1313.3308X16	33	8	M8	18	33	8,4	16	15	0,7
K1313.4010X20	40	10	M10	22,3	40	10	20	19	0,8