

Wing nuts wide in Hygienic DESIGN

Item description/product images



Description

Material:

Stainless steel 1.4404.

Version:

Polished.

Note:

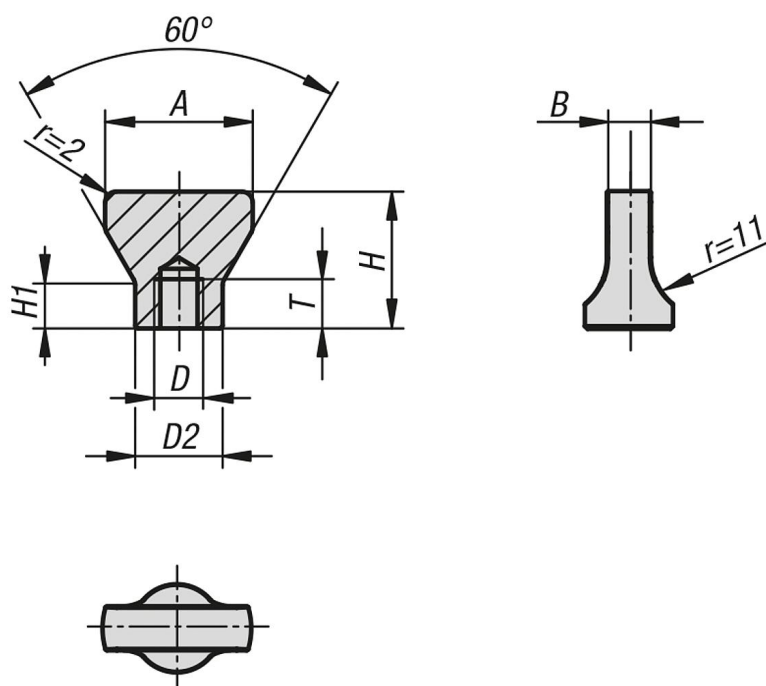
The wing nut makes simple screw connections feasible. They can be easily opened or re-tightened without tools.

The complete surface is polished with a surface finish of less than $Ra\ 0.8\ \mu m$. The contour is rounded with smooth transitions. Due to the polished surface dirt and residue from products or cleaners seldom adheres. Easy cleaning is ensured.

On request:

Inch threads, external threads.

Drawings



Overview of items

Wing nuts wide in Hygienic DESIGN

Order No.	A	B	D	D2	H	H1	T
K1315.2004	20	4,5	M4	9	20	5	6
K1315.2506	25	5,5	M6	12	22	5	7
K1315.2708	27	8	M8	16	25	8,5	9

