

Fixed jaws for robust side clamps

Item description/product images



Description

Material:

Cast steel body
Low-carbon steel jaw plates.

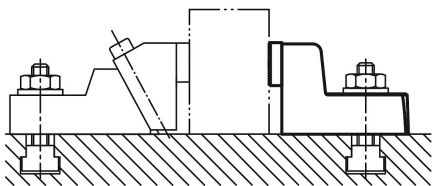
Version:

Black oxidised.
Jaw plates case-hardened.

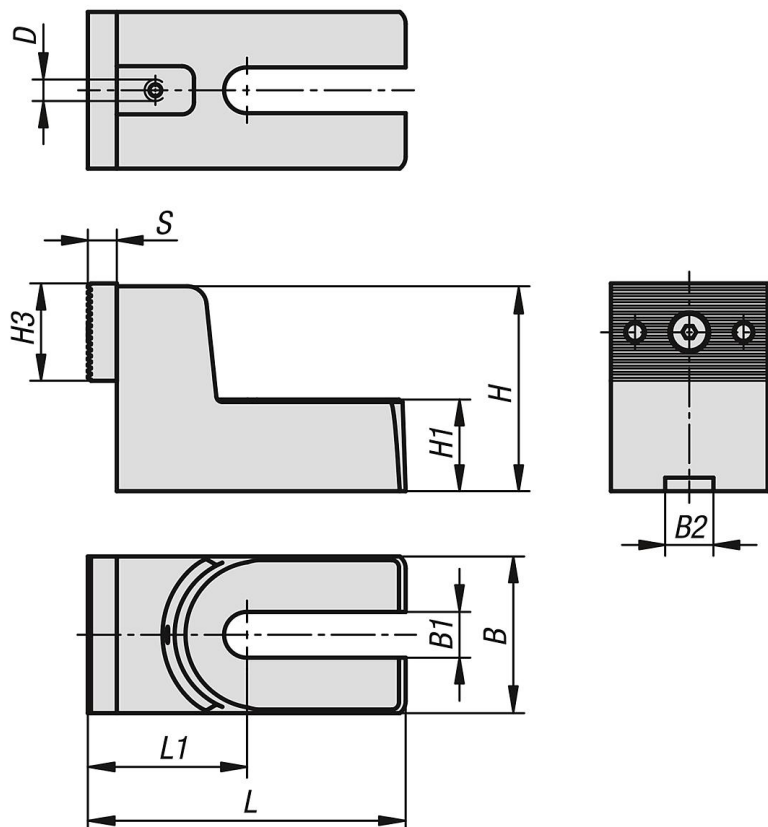
Note:

Fixed jaws for workpieces or fixtures which are clamped or fastened on the machine table using a robust side clamp. The jaw plates are reversible, smooth side for machined faces, serrated side for rough faces.

A flat slot key can be used to position the jaw precisely in the machine table slot.



Drawings



Overview of items

Fixed jaws for robust side clamps

Fixed jaws for robust side clamps

Overview of items

Order No.	suitable for slot width	B	B1	B2	D	H	H1	H3	L	L1	S
K1467.19	12,14,16,18	65	19	20	M6	85	38	40	132	66	12
K1467.26	20,22,24,28,30	75	26	20	M6	100	45	40	177	85,5	12
K1467.38	32,36,42	90	38	20	M6	120	56	40	211	95	12