

## Swivel feet plates stainless steel

### Item description/product images



### Description

#### Material:

Plates, stainless steel 1.4301.  
Core, thermoplastic PA.  
Rubber support TPE.

#### Version:

Plate bright.  
Rubber support light grey with sealing lip, hardness 70 Shore A.  
Temp. range -20°C to +100°C.

#### Note:

The rubber support is joined with the stainless steel plate and the PA core by injection moulding. The rubber support is resistant to oil and water (up to 60 °C). In addition, it is furnished with antibacterial and antimicrobial protection and is thus outstandingly suited for sectors in the food industry.

Swivel feet consist of a plate and a threaded spindle or ball joint. Any plate can be combined with any threaded spindle or ball joint.

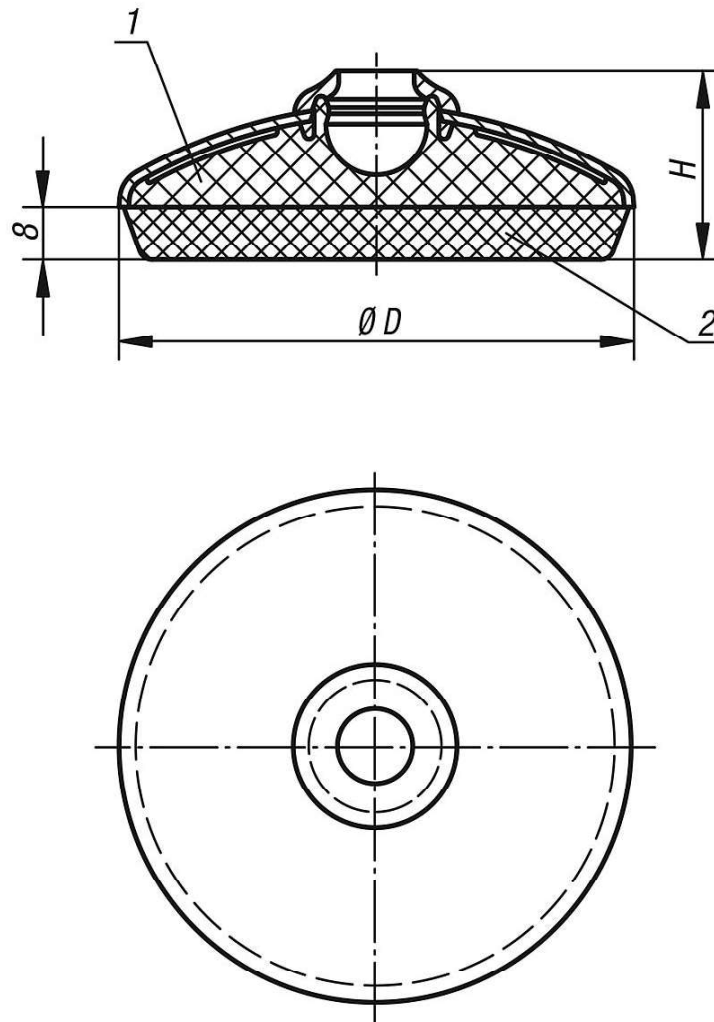
For matching threaded spindles see K0421.

For matching ball joints see K0422.

#### Drawing reference:

- 1) PA-core
- 2) rubber base

## Drawings



## Overview of items

## Swivel feet plates, stainless steel

Order No.	D	H	Load rating max. kN
K0418.1060	58,5	29	7
K0418.1080	78,5	29	7
K0418.1100	98,5	29	7