

Levelling feet plates plastic

Item description/product images



Description

Material:

Plates, thermoplastic, fibreglass reinforced.

Anti-slip plate thermoplastic elastomer.

Version:

black.

Note:

Levelling feet consist of a plate and a threaded spindle. Any plate can be combined with any threaded spindle.

The anti-slip plate absorbs vibrations and prevents the levelling foot slipping.

For matching threaded spindles see K0427.

Drawing reference:

Form A

without screw-on hole, without anti-slip plate

Form B

without screw-on hole, with anti-slip plate

Form C

with screw-on hole (closed), without anti-slip plate

Form D

with screw-on hole (closed), with anti-slip plate

Form E

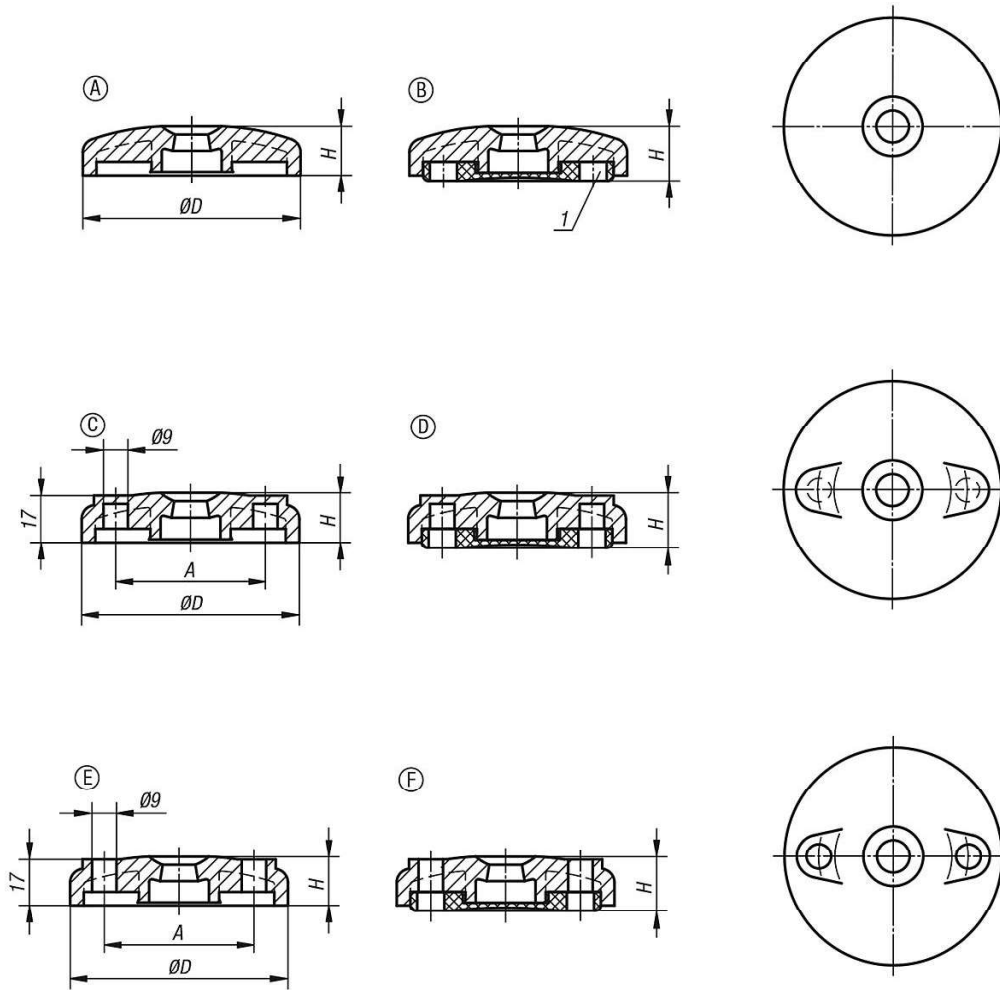
with screw-on hole (open), without anti-slip plate

Form F

with screw-on hole (open), with anti-slip plate

1) From plate Ø 80

Drawings



Overview of items

Levelling feet plates plastic

Order No.	Form	D	A	H	Load rating max. kN
K0423.1060	A	60	-	18	12
K0423.1080	A	80	-	18	12
K0423.1100	A	100	-	18	12
K0423.2060	B	60	-	20	12
K0423.2080	B	80	-	20	12
K0423.2100	B	100	-	20	12
K0423.3080	C	80	55	18	12
K0423.3100	C	100	74	18	12
K0423.4080	D	80	55	20	12
K0423.4100	D	100	74	20	12
K0423.5080	E	80	55	18	12
K0423.5100	E	100	74	18	12
K0423.6080	F	80	55	20	12
K0423.6100	F	100	74	20	12

