

Levelling feet plates plastic, heavy-duty version

Item description/product images



Description

Material:

Plates, thermoplastic, fibreglass reinforced.
Anti-slip plate thermoplastic elastomer.

Version:

black.

Note:

Levelling feet consist of a plate and a threaded spindle. Any plate can be combined with any threaded spindle.

The anti-slip plate absorbs vibrations and prevents the levelling foot slipping.

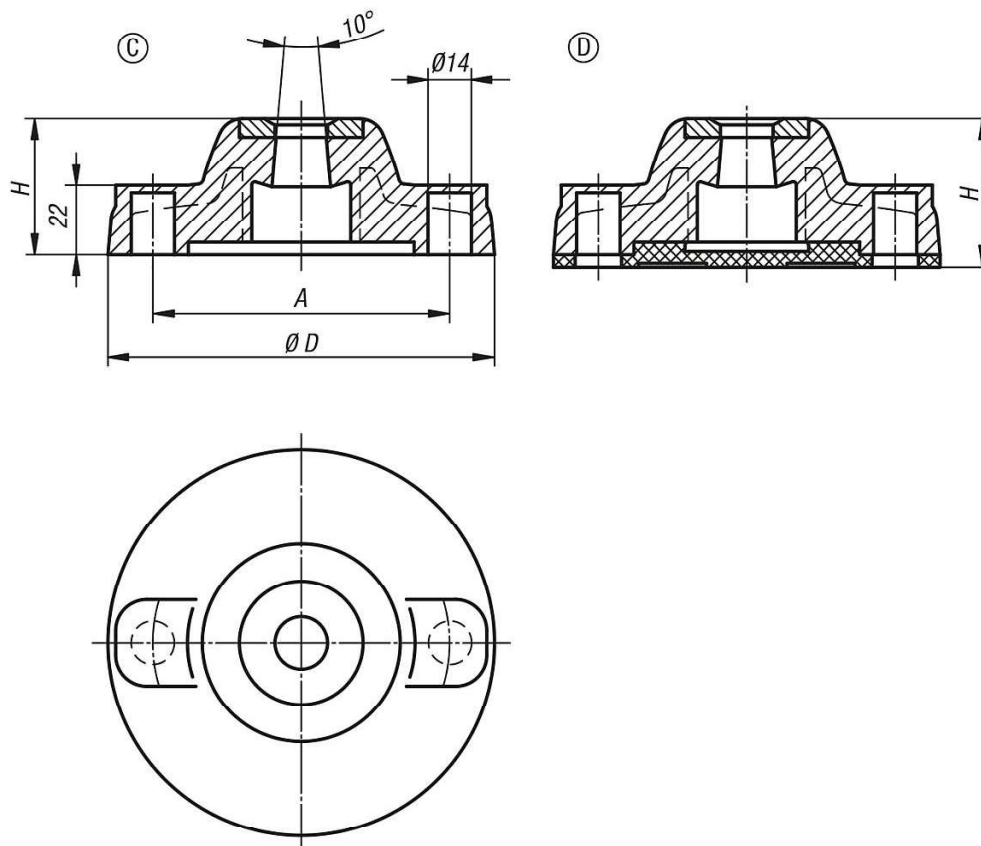
For matching threaded spindles see K0427.

Drawing reference:

Form C with screw-on hole (closed), without anti-slip plate

Form D with screw-on hole (closed), with anti-slip plate

Drawings



Overview of items

Levelling feet plates plastic, heavy-duty version

Overview of items

Levelling feet plates, plastic, heavy-duty version

Order No.	Form	D	A	H	Load rating max. kN
K0424.31251	C	125	96	44	18
K0424.31751	C	175	135	45	25
K0424.41251	D	125	96	48	18
K0424.41751	D	175	135	49	25