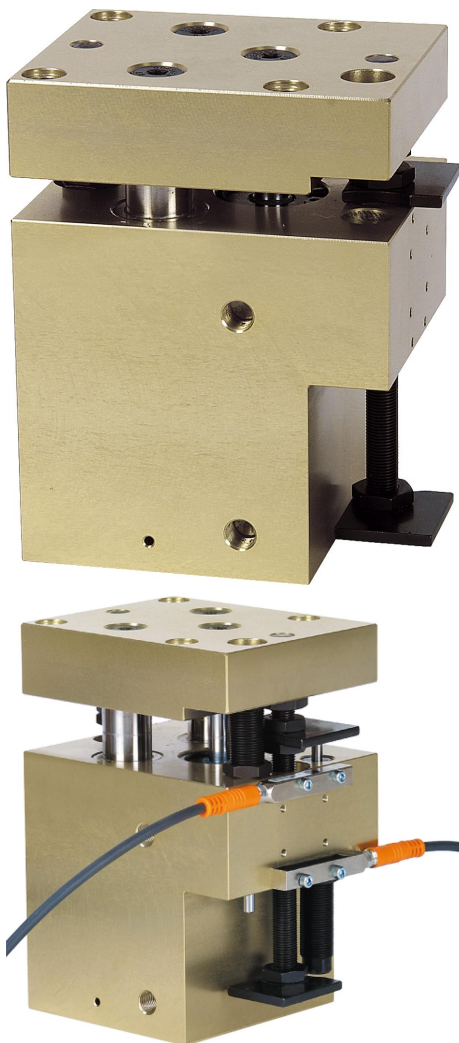


Item description/product images

**Description****Material:**

Housing high-strength aluminium.
Stop system steel.

Version:

Housing anodised.
Stop system hardened and black oxidised.

Note:

Robust maintenance-free pneumatic lifting units with sealed ball guide. Control by 4/2 or 5/2 directional valve. Pneumatic drive, 4-8 bar, constant, filtered (10 µm), dried, oiled or unoled. Compressed air connection R1/8.
Modules of the same size can be combined with one another without adapter plates via the precise centring system by means of centring rings 20240.

Repeat accuracy ± 0.02 mm.

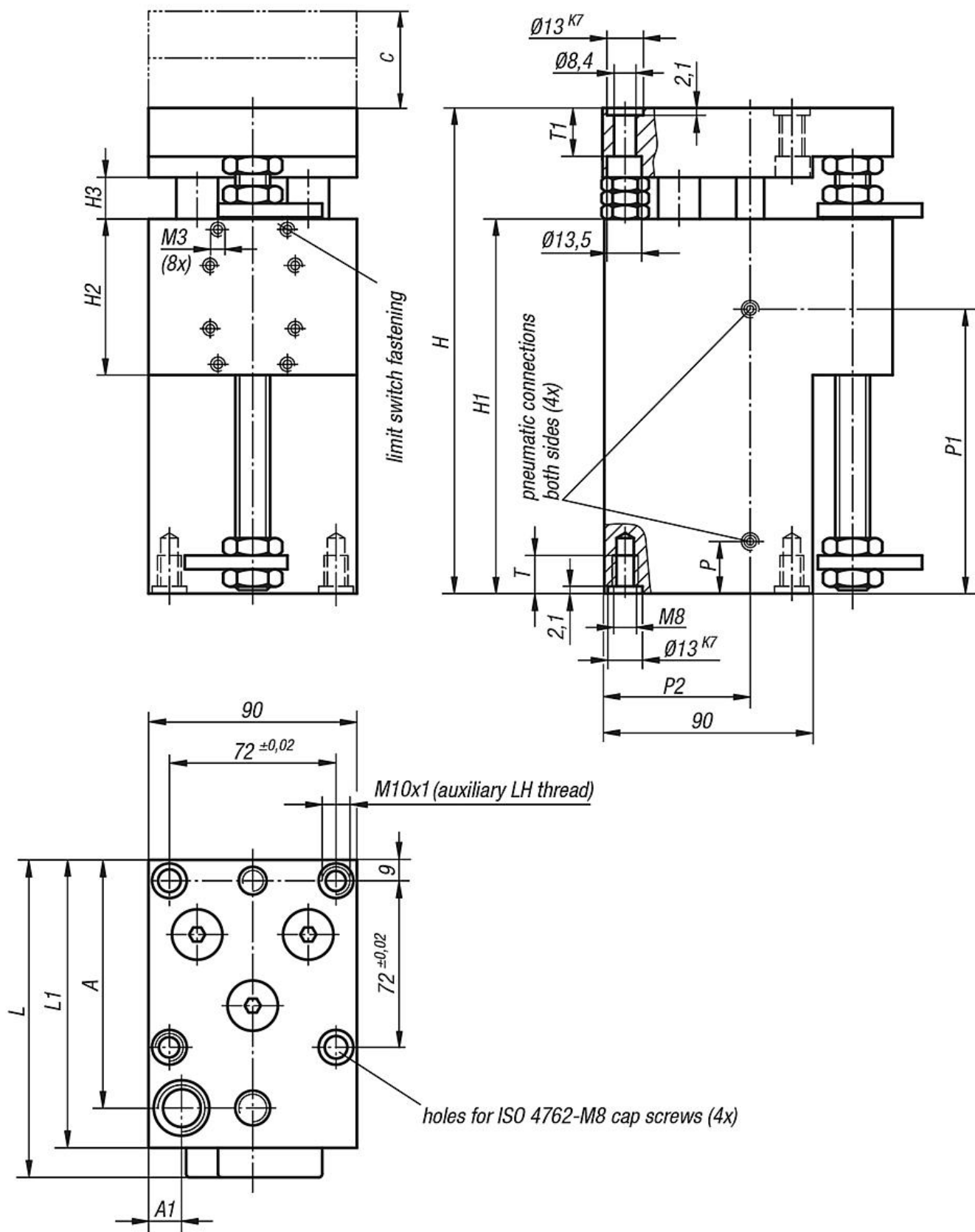
On request:

Lifting units with shorter strokes available.

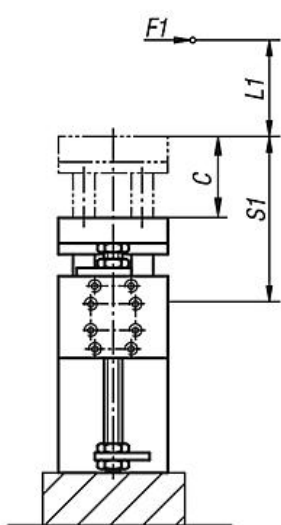
Accessory:

See table for shock absorber, proximity switch and plug connector.

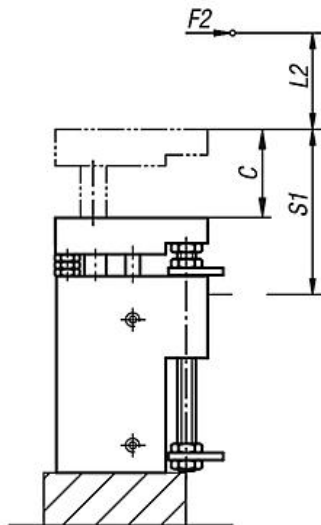
Drawings



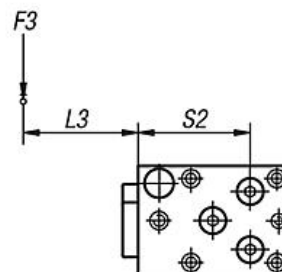
Load data



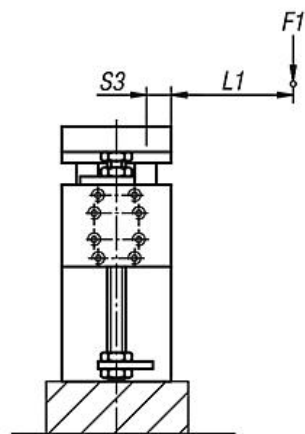
$$M1 = (S1 + L1) \times F1$$



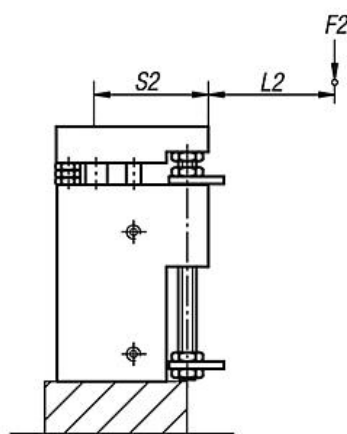
$$M2 = (S1 + L2) \times F2$$



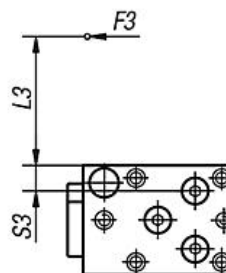
$$M3 = (S2 + L3) \times F3$$



$$M1 = (S3 + L1) \times F1$$



$$M2 = (S2 + L2) \times F2$$



$$M3 = (S3 + L3) \times F3$$

$$\frac{M1_{eff}}{M1_{zul}} + \frac{M2_{eff}}{M2_{zul}} + \frac{M3_{eff}}{M3_{zul}} \leq 1$$

Calculating the lifespan:

$$L = \left(\frac{M_{zul}}{M_{eff}} \right)^3 \times 10^5$$

- L = lifespan (m)
- M_{zul} = permissible torque (Nm)
- M_{eff} = calculated torque (Nm)

Overview of items

| Order No. | Size | C (travel) | A | A1 | H | H1 | H2 | H3 | L | L1 | P | P1 | P2 | T | T1 |
|------------|------|---------------|-------|------|-----|-----|----|----|-----|-----|------|-----|----|----|----|
| 20056-9050 | 9 | 50 | 101,5 | 24,5 | 150 | 108 | 45 | 12 | 121 | 113 | 15,5 | 83 | 68 | 16 | 13 |
| 20056-9075 | 9 | 75 | 101,5 | 24,5 | 175 | 133 | 45 | 12 | 121 | 113 | 15,5 | 108 | 68 | 16 | 13 |
| 20056-9100 | 9 | 100 | 101,5 | 24,5 | 200 | 158 | 45 | 12 | 121 | 113 | 15,5 | 133 | 68 | 16 | 13 |

| Order No. | Size | Piston force at 6 bar (N) | Retraction force at 6 bars (N) | Cylinder Ø | Air consumption per cycle at 6 bar (ccm) | Suitable shock absorber | Suitable proximity switch | Suitable plug connector |
|------------|------|---------------------------|--------------------------------|------------|--|-------------------------|---------------------------|-------------------------|
| 20056-9050 | 9 | 360 | 325 | 32 | 56 | 26310-1410012 | 83000-05-010 | 80150-010X2000 |
| 20056-9075 | 9 | 360 | 325 | 32 | 84 | 26310-1410012 | 83000-05-010 | 80150-010X2000 |
| 20056-9100 | 9 | 360 | 325 | 32 | 112 | 26310-1410012 | 83000-05-010 | 80150-010X2000 |

| Order No. | Size | M1 Nm | M2 Nm | M3 Nm | S1 | S2 | S3 |
|------------|------|-------|-------|-------|-------------------|----|----|
| 20056-9050 | 9 | 43 | 43 | 72 | 57 + C/2 (travel) | 73 | 20 |
| 20056-9075 | 9 | 43 | 43 | 72 | 57 + C/2 (travel) | 73 | 20 |
| 20056-9100 | 9 | 43 | 43 | 72 | 57 + C/2 (travel) | 73 | 20 |