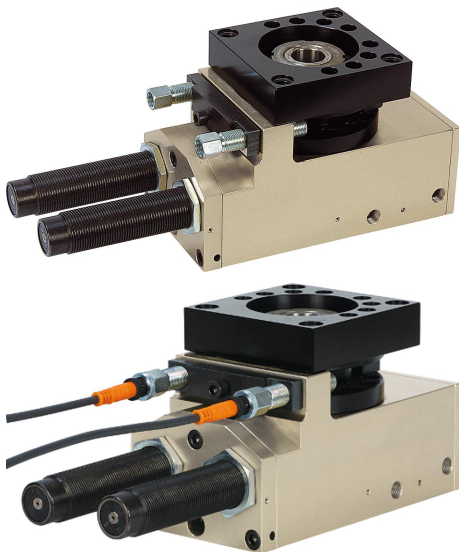


Item description/product images

**Description****Material:**

Housing high-strength aluminium.
Stop system steel.

Version:

Housing anodised.
Stop system hardened and black oxidised.

Note:

Maintenance-free pneumatic rotary module with double actuated drive cylinder.
Control by 4/2 or 5/2 directional valve. Pneumatic drive, 4-8 bar, constant, filtered (10 µm), dried, oiled or unoled. Compressed air connection R1/8.
Modules of the same size can be combined with one another without adapter plates via the precise centring system by means of centring rings 20240.

The 0° – 190° rotation angle is infinitely adjustable.

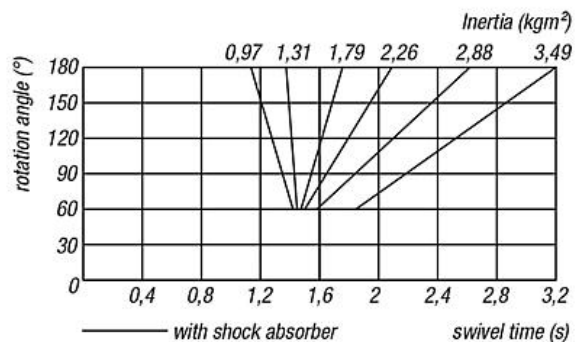
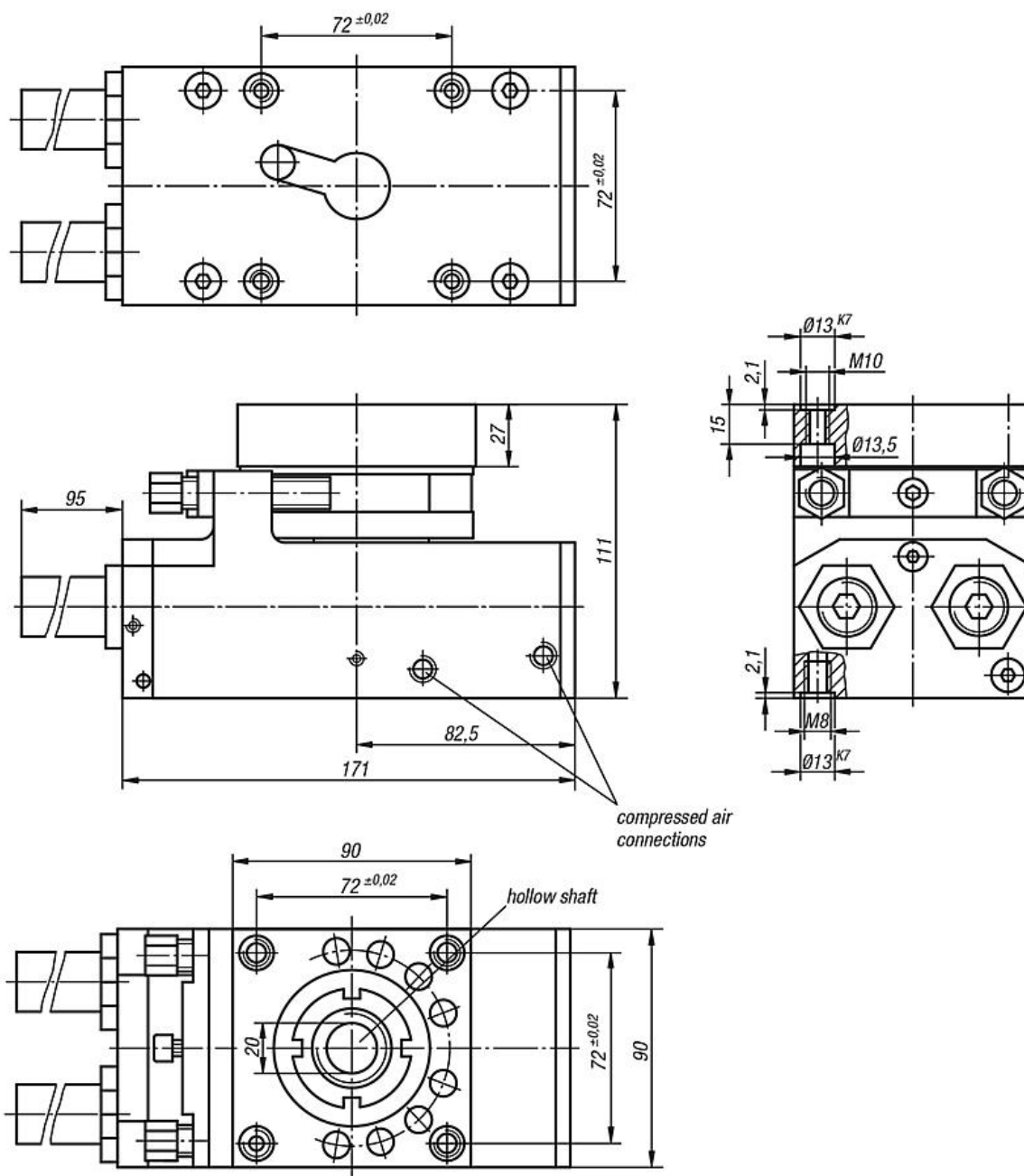
Repeat accuracy $\pm 0.01^\circ$.

Shock absorbers are supplied.

Accessory:

See table for proximity switches and plug connectors.

Drawings



Overview of items

| Order No. | Size | Driving torque Nm | tilt moment max. Nm | Rotation angle | Axial load N | Radial load N | Cylinder Ø | Air consumption per cycle at 6 bar (ccm) |
|-----------|------|----------------------|---------------------------|-------------------|--------------------|---------------------|---------------|--|
| 20064-019 | 9 | 12 | 110 | 0° - 190° | 1800 | 2400 | 2 x 32 | 161 |

| Order No. | Size | Suitable proximity switch | Suitable plug connector |
|-----------|------|---------------------------------|-------------------------------|
| 20064-019 | 9 | 83000-15-030 | 80150-010X2000 |