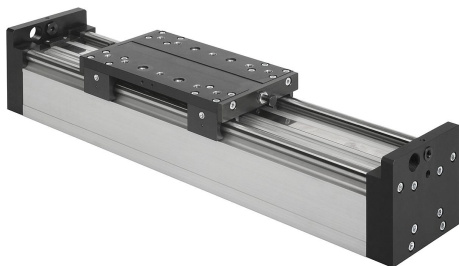


## Item description/product images

**Description****Material:**

Body, carriage and flange plate aluminium alloy.  
Guide shafts steel.

**Version:**

Body anodised natural colour.  
Carriage and flange plate anodised.  
Rail guides hardened.

**Note:**

Portal modules with precision steel shafts and ball guide bushes. Pneumatic drive through a rodless cylinder. High load rating due to stiffened self-supporting aluminium profiles. The modules can be mounted in any position. Specified loads apply to dynamic loads.

Repeat accuracy  $\pm 0.02$  mm.

**Temperature range:**

+5 °C to +70 °C

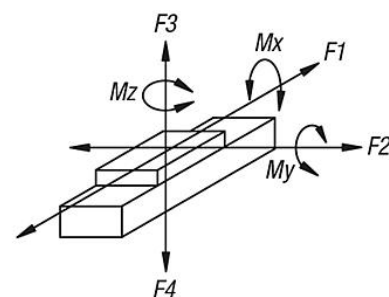
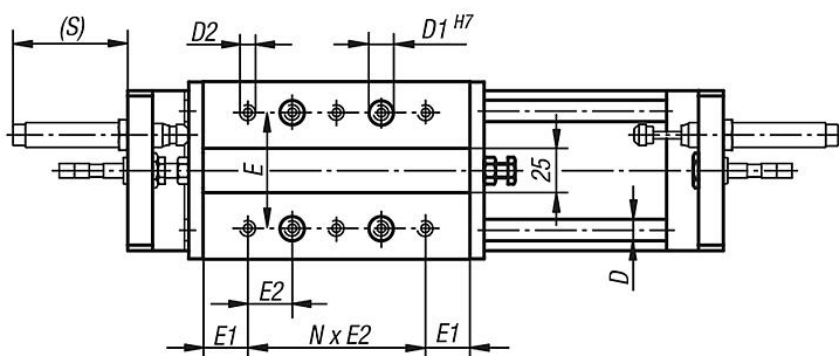
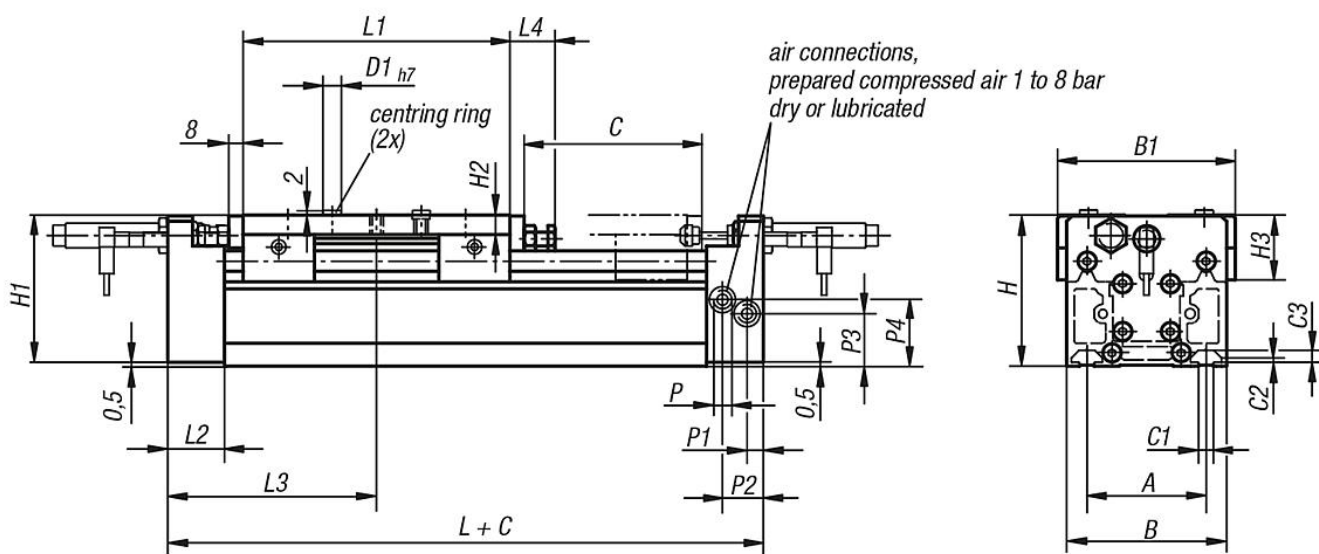
**On request:**

\* Other lengths (travel C max. 5000 mm) and intermediate positions.

**Accessory:**

See table for shock absorbers, proximity switches and plug connectors.

Drawings



Overview of items

Order No.	Size	A	B	B1	C1	C2	C3	C (travel)	D	D1	D2	E	E1	E2	H	H1	H2	H3	L
20200-2090X0500	90	67	90	100	8,1	2,5	6,8	500*	12	10	M6	65	25	25	85	84,5	11	36,5	235
20200-2115X0500	115	97	125	135	10	5	8,5	500*	16	13	M8	90	20	30	115	114,5	12,5	46,5	305

Order No.	Size	L1	L2	L3	L4	N (number)	P	P1	P2	P3	P4	S
20200-2090X0500	90	150	32	117,5	25,5	4	G1/8	9	23	30	38	64,5
20200-2115X0500	115	220	32	152,5	25,5	6	G1/4	15,5	19,5	40,5	60,5	62,5

## Overview of items

Order No.	Size	Piston force at 6 bar (N)	Cylinder $\emptyset$	Air consumption per 10 mm travel at 6 bar (ccm)	Mx Nm	My Nm	Mz Nm	F1 N	F2 N	F3 N	F4 (N)
20200-2090X0500	90	250	25	35	50	65	160	90	45	120	290
20200-2115X0500	115	640	40	88	70	130	310	180	90	145	340