

Self-aligning pads adjustable, with O-ring, exchangeable inserts and hexagon socket

Item description/product images



Description

Material:

Body carbon steel.

Ball rust and acid resistant steel.

Inserts:

Form C, F, M tool steel

Form K POM

Form E stainless steel.

Form O stainless steel diamond impregnated.

Form P stainless steel with polyurethane surface.

Version:

Body tempered, black oxidised.

Ball hardened, bright.

Inserts:

Form C, F hardened, black oxidised.

Form M with carbide serrations, black oxidised.

Form K white.

Form E hardened, bright.

Form O diamond impregnated surface comparable to 100 grade abrasive grit.

Form P polyurethane surface, hardness 60 Shore.

Note:

Self-aligning pads are used to support and clamp unmachined and machined workpieces.

They also serve as stops, supports and thrust pads in fixtures and toolmaking.

The ball can be removed from the housing by applying light pressure to the socket head screw.

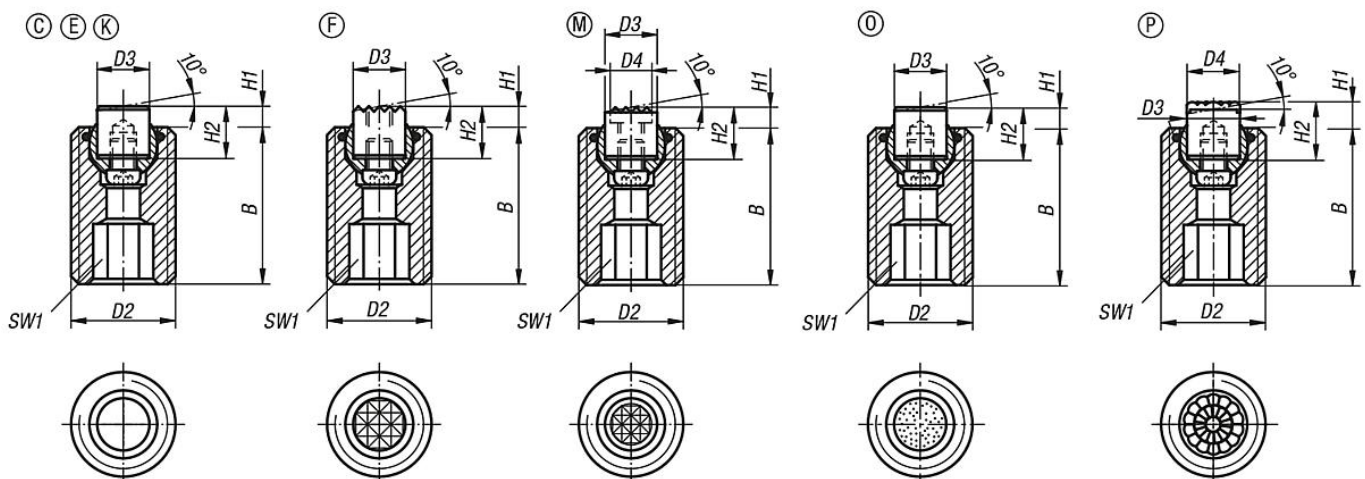
Ball secured against rotation.

Advantages:

Highly cost-effective as inserts can be exchanged.

The built-in O-ring holds the ball in place and keeps dirt and foreign particles out, ensuring uniform movement.

Drawings



Self-aligning pads adjustable, with O-ring, exchangeable inserts and hexagon socket

Overview of items

Order No.	Form	B	D2	D3	H1	H2	SW1	Ball-Ø	Load rating max. kN (static load only)	Order No. steel insert
K0291.120X030	C	30	M20	10	4	10	10	13	37	K0385.10108
K0291.120X050	C	50	M20	10	4	10	10	13	37	K0385.10108
K0291.120X070	C	70	M20	10	4	10	10	13	37	K0385.10108
K0291.124X040	C	40	M24	12	4	10	10	15	55	K0385.12108
K0291.124X080	C	80	M24	12	4	10	10	15	55	K0385.12108

Order No.	Form	B	D2	D3	H1	H2	SW1	Ball-Ø	Load rating max. kN (static load only)	Order No. gripper
K0291.320X030	F	30	M20	10	4	10	10	13	37	K0385.10110
K0291.320X050	F	50	M20	10	4	10	10	13	37	K0385.10110
K0291.320X070	F	70	M20	10	4	10	10	13	37	K0385.10110
K0291.324X040	F	40	M24	12	4	10	10	15	55	K0385.12110
K0291.324X080	F	80	M24	12	4	10	10	15	55	K0385.12110

Order No.	Form	B	D2	D3	H1	H2	SW1	Ball-Ø	Load rating max. kN (static load only)	Order No. POM insert
K0291.720X030	K	30	M20	10	4	10	10	13	4	K0385.10109
K0291.720X050	K	50	M20	10	4	10	10	13	4	K0385.10109
K0291.720X070	K	70	M20	10	4	10	10	13	4	K0385.10109
K0291.724X040	K	40	M24	12	4	10	10	15	7	K0385.12109
K0291.724X080	K	80	M24	12	4	10	10	15	7	K0385.12109

Order No.	Form	B	D2	D3	D4	H1	H2	SW1	Ball-Ø	Load rating max. kN (static load only)	Order No. gripper
K0291.920X030	M	30	M20	10	7,9	4	10	10	13	37	K0385.10107
K0291.920X050	M	50	M20	10	7,9	4	10	10	13	37	K0385.10107
K0291.920X070	M	70	M20	10	7,9	4	10	10	13	37	K0385.10107
K0291.924X040	M	40	M24	12	9,5	4	10	10	15	55	K0385.12107
K0291.924X080	M	80	M24	12	9,5	4	10	10	15	55	K0385.12107

Order No.	Form	B	D2	D3	H1	H2	SW1	Ball-Ø	Load rating max. kN (static load only)	Order No. stainless steel insert, diamond surface
K0291.520X030	O	30	M20	10	4	10	10	13	37	K0385.10105
K0291.520X050	O	50	M20	10	4	10	10	13	37	K0385.10105
K0291.520X070	O	70	M20	10	4	10	10	13	37	K0385.10105
K0291.524X040	O	40	M24	12	4	10	10	15	55	K0385.12105
K0291.524X080	O	80	M24	12	4	10	10	15	55	K0385.12105

Order No.	Form	B	D2	D3	D4	H1	H2	SW1	Ball-Ø	Load rating max. kN (static load only)	Order No. stainless steel insert, polyurethane surface
K0291.620X030	P	30	M20	10	10	6	12	10	13	37	K0385.10126
K0291.620X050	P	50	M20	10	10	6	12	10	13	37	K0385.10126
K0291.620X070	P	70	M20	10	10	6	12	10	13	37	K0385.10126
K0291.624X040	P	40	M24	12	13	6	12	10	15	55	K0385.12126
K0291.624X080	P	80	M24	12	13	6	12	10	15	55	K0385.12126