

Rest pads

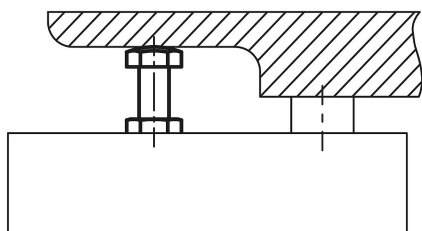
Item description/product images



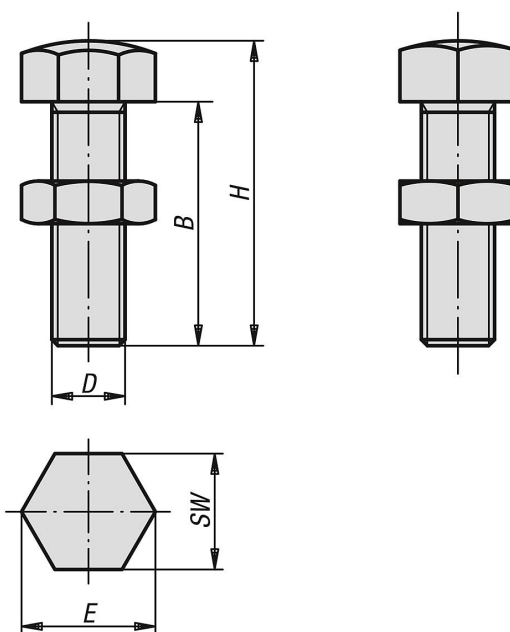
Description

Material:
Carbon steel or brass

Version:
High-carbon steel tempered with black oxidised.
Brass bright.



Drawings



Overview of items

Rest pads

Order No.	Main material	B	D	E	H	SW
K0307.06030	high carbon steel	25	M6	11,5	30	10
K0307.06040	high carbon steel	35	M6	11,5	40	10
K0307.06050	high carbon steel	45	M6	11,5	50	10
K0307.08036	high carbon steel	30	M8	15	36	13
K0307.08046	high carbon steel	40	M8	15	46	13
K0307.08056	high carbon steel	50	M8	15	56	13
K0307.10042	high carbon steel	35	M10	19,6	42	17
K0307.10048	high carbon steel	40	M10	19,6	48	17

Rest pads

Overview of items

Order No.	Main material	B	D	E	H	SW
K0307.10058	high carbon steel	50	M10	19,6	58	17
K0307.10068	high carbon steel	60	M10	19,6	68	17
K0307.12048	high carbon steel	42	M12	21,9	50	19
K0307.12070	high carbon steel	60	M12	21,9	70	19
K0307.12080	high carbon steel	70	M12	21,9	80	19
K0307.16055	high carbon steel	45	M16	27,7	55	24
K0307.16075	high carbon steel	65	M16	27,7	75	24
K0307.16085	high carbon steel	75	M16	27,7	85	24
K0307.12148	brass	42	M12	21,9	50	19
K0307.16155	brass	45	M16	27,7	55	24