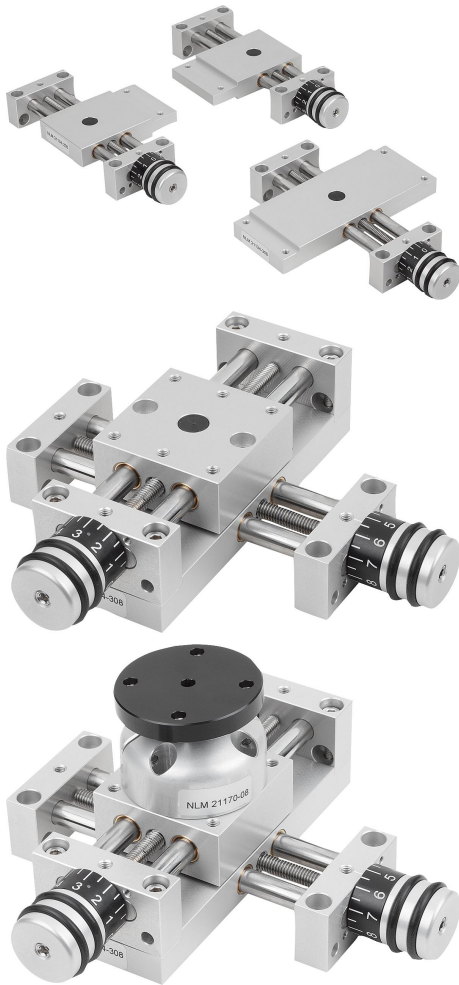


Item description/product images



Description

Material:

Bearing block and carriage aluminium alloy, anodised.
 Guide columns stainless steel, ground.
 Spindle stainless steel, rolled thread.
 Guide bearing maintenance-free.

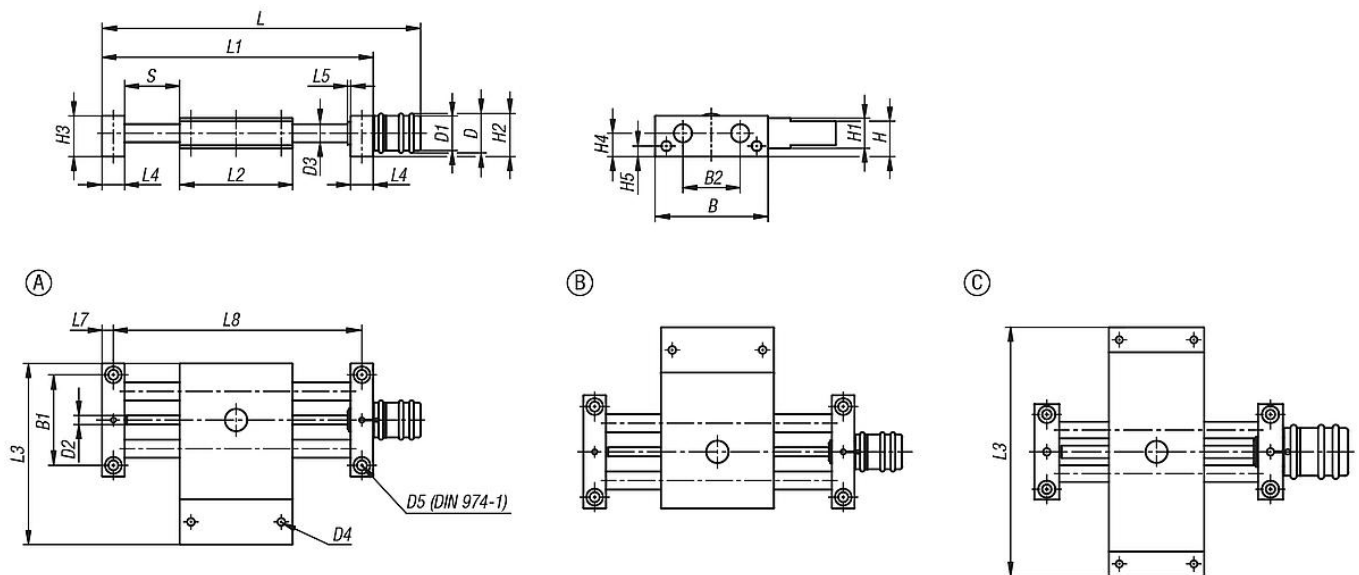
Version:

Radial play on guide < 0.02 mm.
 No axial backlash.
 Spindle self-locking, with additional lock.

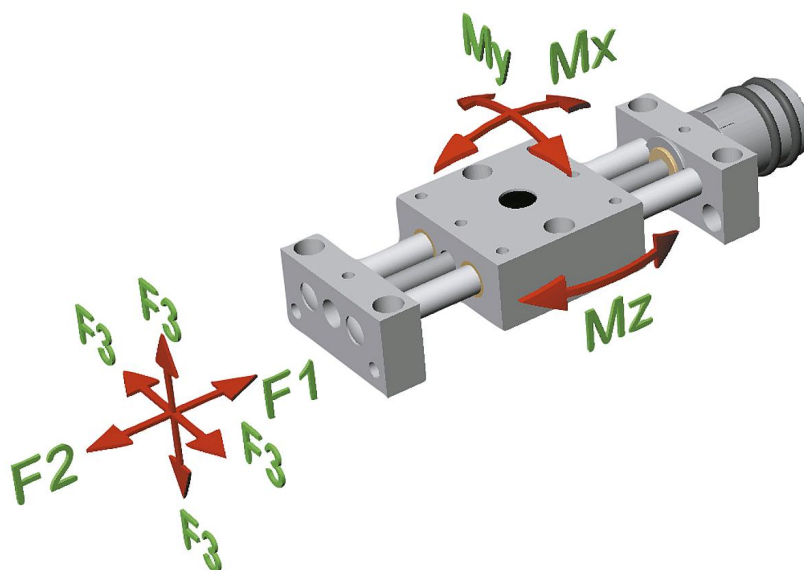
Note:

The almost play-free guides and absolutely play-free spindle allow for adjustment without the need to loosen or clamp the spindle.
 The scale graduation is in 5 or 10 increments; 1 increment corresponds to 0.1 mm of travel.
 The cross stage can be easily combined with positioning stages, vertical stages and other accessories of respective size by the modular principle.

Drawings



Drawings



Overview of items

Order No.	Form	B	B1	B2	D	D1	D2	D3	D4	D5	H	H1	H2	H3	H4	H5	L	L1	L2	L3	L4	L5	L7	L8	Travel S	F1 N	F2 N	F3 N	Mx Nm	My Nm	Mz Nm
21134-104	A	29	22	12	13	11,5	M3x0,5	4	M3	3	11	8	14,5	13	8	4	84,5	70	29	46	8	1,5	4	62	23	70	70	70	0,77	0,77	0,77
21134-108	A	46	36	21	26	23	M6x1	8	M4	4	18	14	27	23	14	6	148,5	120	46	75	12	2	6	108	48	200	200	200	3,6	3,6	3,6
21134-112	A	75	60	38	26	23	M6x1	12	M6	6	23,5	20	29	27	15,5	7	209	180	75	120	15	2	7,5	165	73	300	300	300	18	18	18
21134-204	B	29	22	12	13	11,5	M3x0,5	4	M3	3	11	8	14,5	13	8	4	84,5	70	29	46	8	1,5	4	62	23	70	70	70	0,77	0,77	0,77
21134-208	B	46	36	21	26	23	M6x1	8	M4	4	18	14	27	23	14	6	148,5	120	46	75	12	2	6	108	48	200	200	200	3,6	3,6	3,6
21134-212	B	75	60	38	26	23	M6x1	12	M6	6	23,5	20	29	27	15,5	7	209	180	75	120	15	2	7,5	165	73	300	300	300	18	18	18
21134-304	C	29	22	12	13	11,5	M3x0,5	4	M3	3	11	8	14,5	13	8	4	84,5	70	29	70	8	1,5	4	62	23	70	70	70	0,77	0,77	0,77
21134-308	C	46	36	21	26	23	M6x1	8	M4	4	18	14	27	23	14	6	148,5	120	46	120	12	2	6	108	48	200	200	200	3,6	3,6	3,6
21134-312	C	75	60	38	26	23	M6x1	12	M6	6	23,5	20	29	27	15,5	7	209	180	75	180	15	2	7,5	165	73	300	300	300	18	18	18