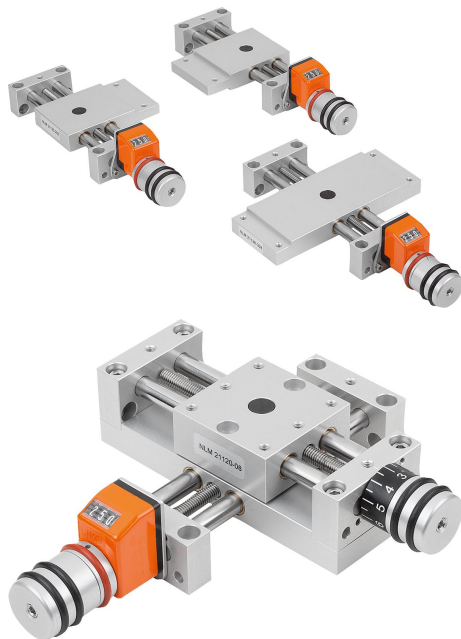


Item description/product images



Description

Material:

Bearing block and carriage aluminium alloy, anodised.
 Guide columns stainless steel, ground.
 Spindle stainless steel, rolled thread.
 Guide bearing maintenance-free.
 Position indicator plastic.

Version:

Radial play on guide < 0.02 mm.
 No axial backlash.
 Spindle self-locking, with additional lock.

Note:

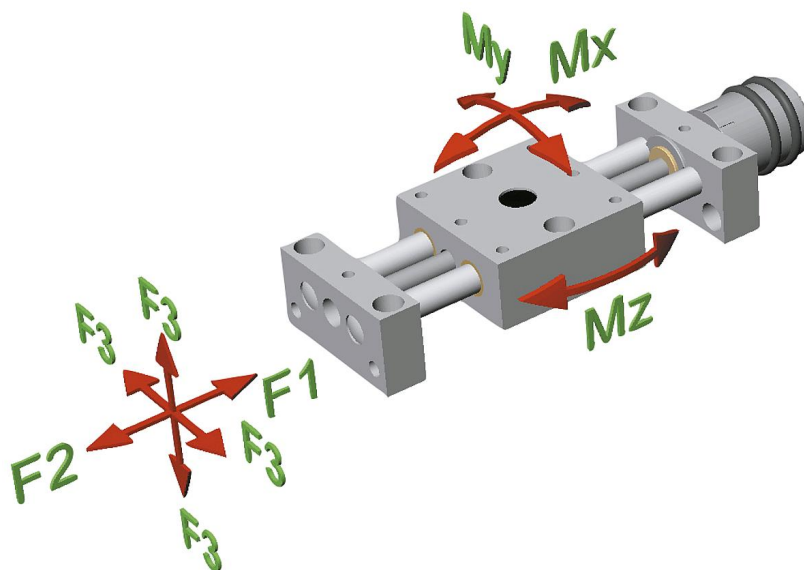
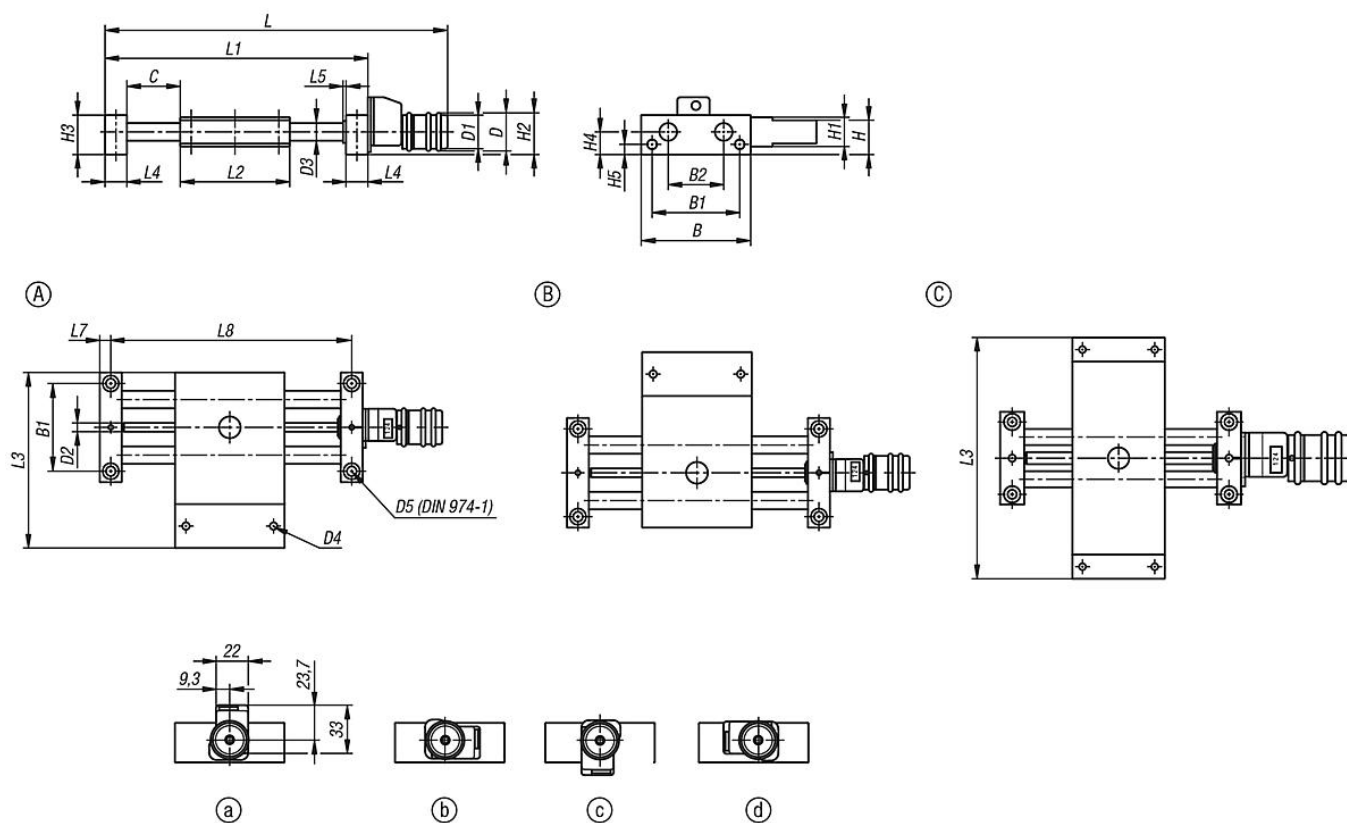
The almost play-free guides and absolutely play-free spindle allow for adjustment without the need to loosen or clamp the spindle.
 Digital position indicator with 0.1 mm indicator accuracy, digits increase by clockwise rotation. The display value is set by turning the outer ring. The indicator can be mounted in 4 positions using a screw.
 The cross stage can be easily combined with positioning stages, vertical stages and other accessories of respective size by the modular principle.

Drawing reference:

Assembly position of position indicator:

- a) top (standard)
- b) right
- c) bottom
- d) left

Drawings



Overview of items

Order No.	Form	B	B1	B2	C (travel)	D	D1	D2	D3	D4	D5	H	H1	H2	H3	H4	H5	L	L1	L2	L3	L4	L5	L7	L8	F1 N	F2 N	F3 N	Mx Nm	My Nm	Mz Nm
21136-108	A	46	36	21	48	26	23	M6x1	8	M4	4	18	14	27	23	14	6	174,5	120	46	75	12	2	6	108	200	200	200	3,6	3,6	3,6
21136-112	A	75	60	38	73	26	23	M6x1	12	M6	6	23,5	20	29	27	15,5	7	235	180	75	120	15	2	7,5	165	300	300	300	18	18	18
21136-208	B	46	36	21	48	26	23	M6x1	8	M4	4	18	14	27	23	14	6	174,5	120	46	75	12	2	6	108	200	200	200	3,6	3,6	3,6
21136-212	B	75	60	38	73	26	23	M6x1	12	M6	6	23,5	20	29	27	15,5	7	235	180	75	120	15	2	7,5	165	300	300	300	18	18	18
21136-308	C	46	36	21	48	26	23	M6x1	8	M4	4	18	14	27	23	14	6	174,5	120	46	120	12	2	6	108	200	200	200	3,6	3,6	3,6
21136-312	C	75	60	38	73	26	23	M6x1	12	M6	6	23,5	20	29	27	15,5	7	235	180	75	180	15	2	7,5	165	300	300	300	18	18	18

