

Fine adjustment for workpiece stabiliser

Item description/product images



Description

Material:
Steel.

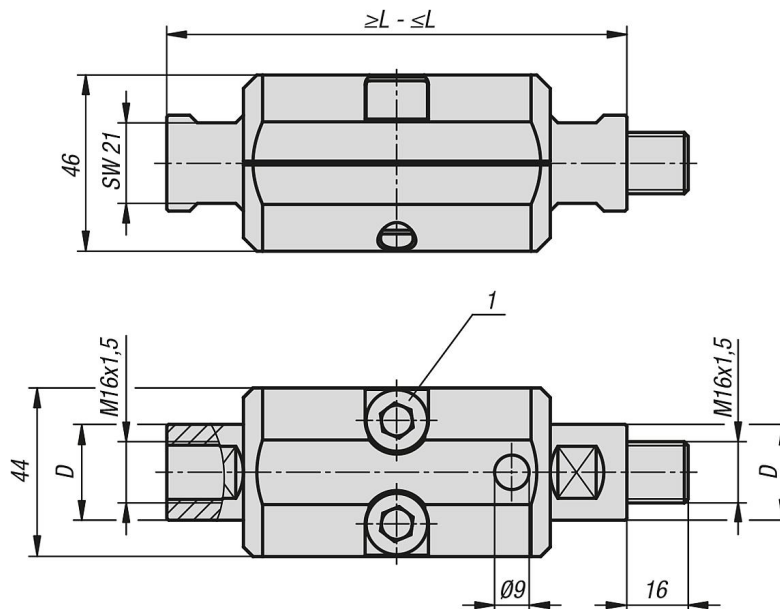
Note:

The fine adjuster enables the distance between the workpiece and the support surface to be precisely set. If required, the adjuster can be used to set the stabiliser under tensile or compressive load.

Drawing reference:

1) DIN EN ISO 4762 M10 cap screw

Drawings



Overview of items

Fine adjustment for workpiece stabiliser

Order No.	D	L min.	L max.
K1187.25120150	25	120	150