

## Item description/product images



## Description

## Material:

Steel.

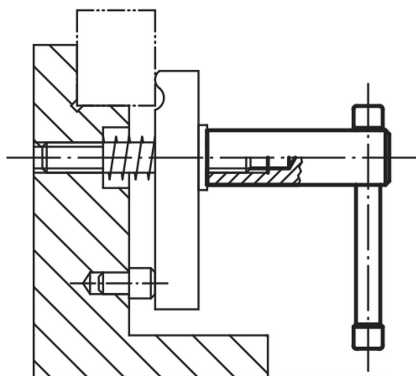
## Version:

Black oxidised.

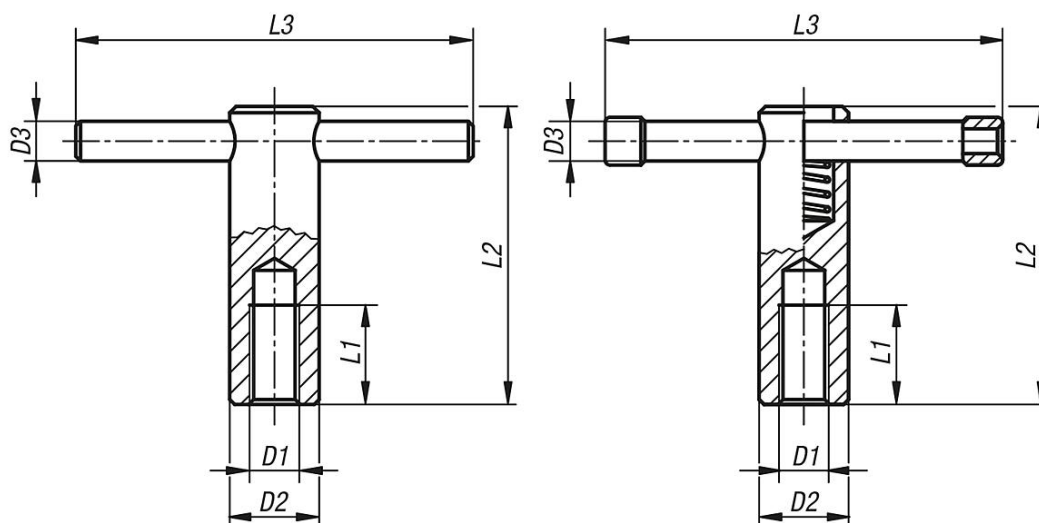
## Note:

By the version with sliding T-bar the bar is held in any desired position by a spring in the body. End stops prevent the bar falling out.

By the version with fixed T-bar the bar is pressed in.



## Drawings



## Overview of items

Order No.	Version 1	D1	D2	D3	L1	L2	L3
06140-110	fixed t-bar	M10	18	8	20	60	80
06140-112	fixed t-bar	M12	20	10	25	70	100
06140-116	fixed t-bar	M16	24	12	35	85	120
06140-120	fixed t-bar	M20	30	16	40	95	140
06140-210	sliding t-bar	M10	18	8	20	60	80
06140-212	sliding t-bar	M12	20	10	25	70	100
06140-216	sliding t-bar	M16	24	13	35	85	120
06140-220	sliding t-bar	M20	30	16	40	95	140

