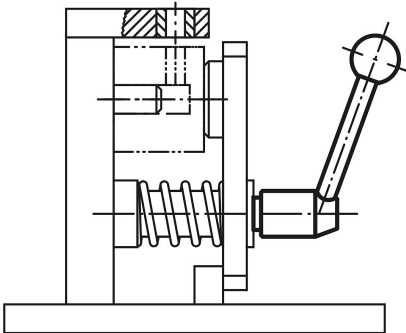
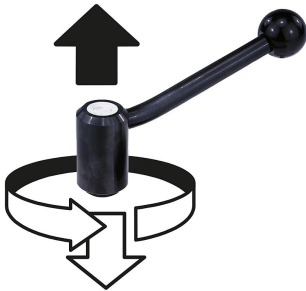


## Item description/product images



lift to  
disengage

**Description****Material:**

Steel parts grade 5.8.  
Ball knob black plastic.

**Version:**

Powder-coated with fine texture, black.

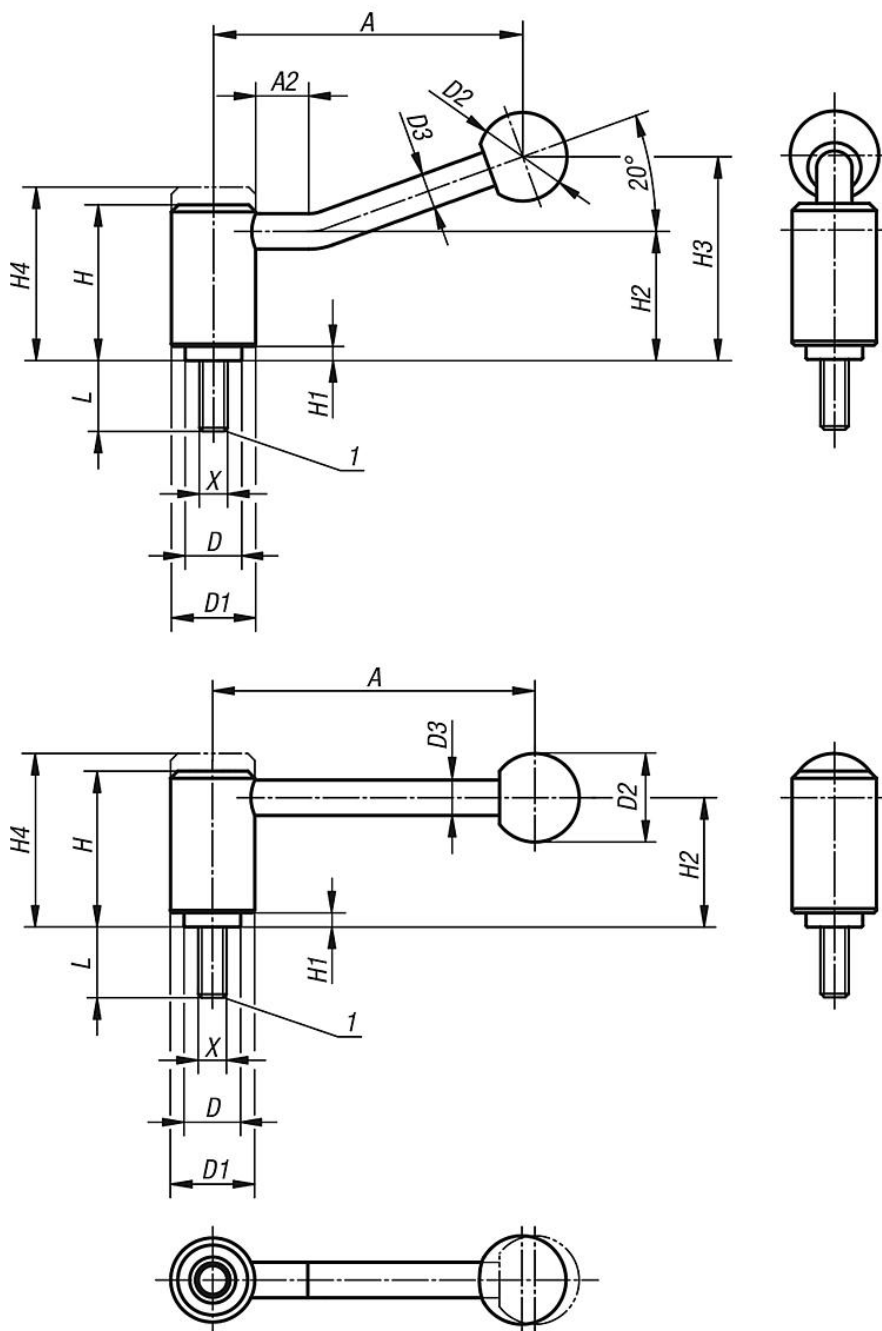
**On request:**

Other threads, screw lengths and special versions.  
Dimensions "H1" and "A" available in other lengths at extra charge.

**Drawing reference:**

1) flat point DIN 78

Drawings



Overview of items

| Order No. 0° | Order No. 20° | X   | A=Handle length | A2   | D  | D1 | D2 | D3 | H    | H1  | H2   | H3     | H4   | L                          | No. of teeth |
|--------------|---------------|-----|-----------------|------|----|----|----|----|------|-----|------|--------|------|----------------------------|--------------|
| 06380-1082X  | 06380-1081X   | M8  | 92/88           | -/15 | 16 | 24 | 25 | 10 | 44,5 | 4,5 | 37   | -/58,5 | 49,5 | 15/20/25/30/40/50/60       | 22           |
| 06380-1102X  | 06380-1101X   | M10 | 92/88           | -/15 | 16 | 24 | 25 | 10 | 44,5 | 4,5 | 37   | -/58,5 | 49,5 | 15/20/25/30/40/50/60       | 22           |
| 06380-1122X  | 06380-1121X   | M12 | 92/88           | -/15 | 16 | 24 | 25 | 10 | 44,5 | 4,5 | 37   | -/58,5 | 49,5 | 15/20/25/30/40/50/60       | 22           |
| 06380-2122X  | 06380-2121X   | M12 | 111/106         | -/15 | 19 | 28 | 32 | 12 | 51,5 | 5,5 | 42   | -/68,5 | 57,5 | 20/25/30/40/50/60          | 24           |
| 06380-3122X  | 06380-3121X   | M12 | 134,5/128,5     | -/15 | 23 | 33 | 32 | 13 | 58   | 6   | 47   | -/81   | 65   | 20/25/30/40/50/60/70/80/90 | 26           |
| 06380-3162X  | 06380-3161X   | M16 | 134,5/128,5     | -/15 | 23 | 33 | 32 | 13 | 58   | 6   | 47   | -/81   | 65   | 20/25/30/40/50/60/70/80/90 | 26           |
| 06380-4162X  | 06380-4161X   | M16 | 134/128,5       | -/15 | 30 | 41 | 32 | 13 | 68,5 | 7,5 | 56,5 | -/89,5 | 76,5 | 30/40/50/60/70/80/90       | 36           |
| 06380-4202X  | 06380-4201X   | M20 | 134/128,5       | -/15 | 30 | 41 | 32 | 13 | 68,5 | 7,5 | 56,5 | -/89,5 | 76,5 | 30/40/50/60/70/80/90       | 36           |
| 06380-4242X  | 06380-4241X   | M24 | 134/128,5       | -/15 | 30 | 41 | 32 | 13 | 68,5 | 7,5 | 56,5 | -/89,5 | 76,5 | 30/40/50/60/70/80/90       | 36           |

