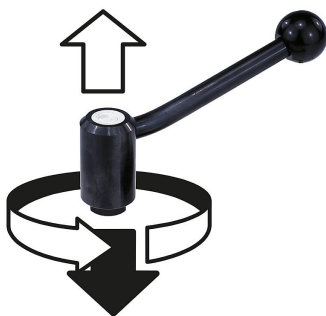


## Item description/product images



press to  
engage  
(safety function)

**Description****Material:**

Steel parts grade 5.8.  
Ball knob black plastic.

**Version:**

Powder-coated with fine texture, black.

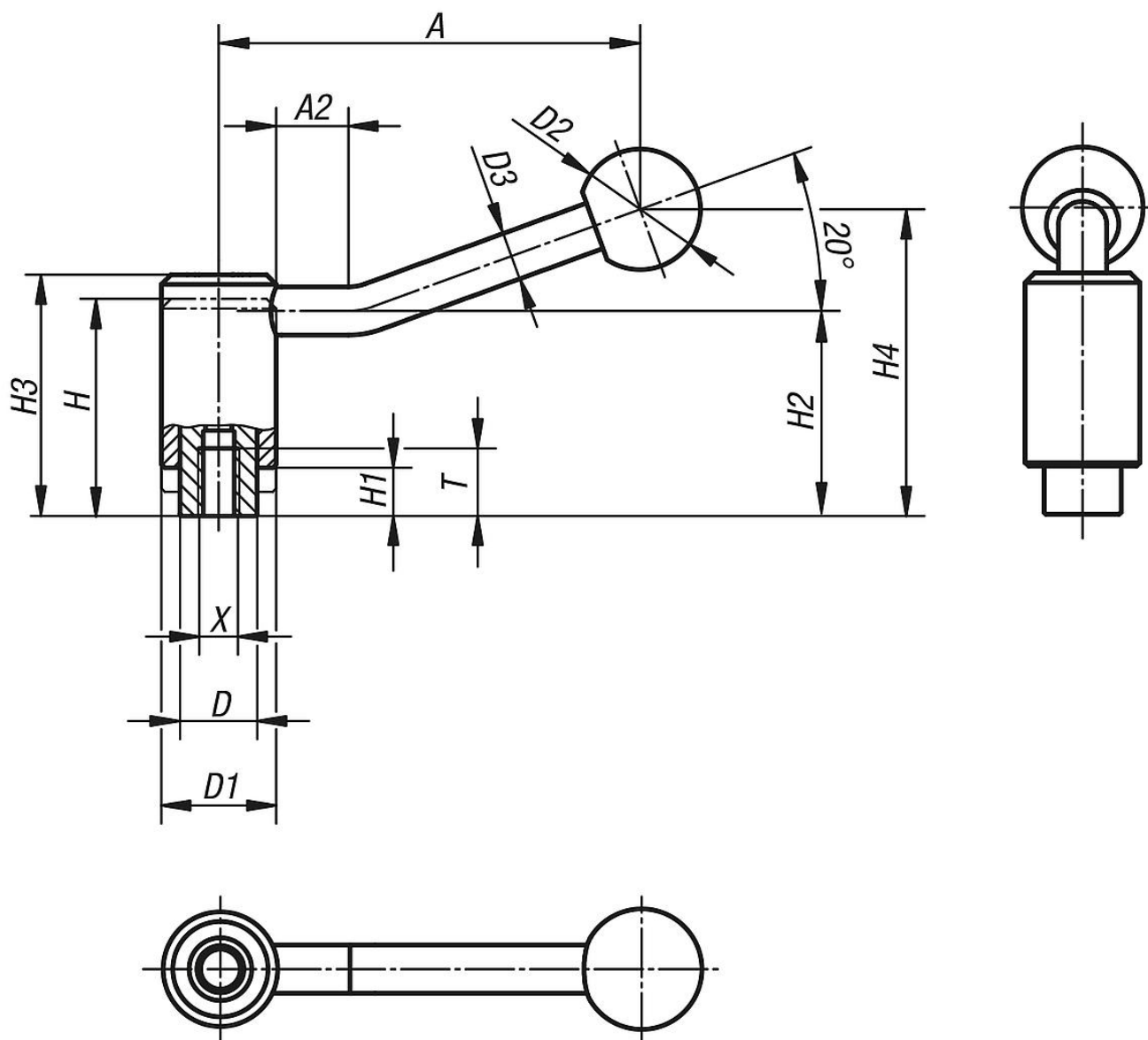
**Type of operation:**

Press the handle down until the teeth are fully engaged. The object can now be clamped or released. Spring pressure pushes the handle up disengaging the teeth and thereby restoring the safety function (handle can be rotated without engaging).

**On request:**

Special versions.  
Dimensions "H1" and "A" available in other lengths at extra charge.

Drawings



Overview of items

Order No.	X	T	A=Handle length	A2	D	D1	D2	D3	H	H1	H2	H3	H4	No. of teeth
06382-1108	M8	14	88	15	16	24	25	10	44,5	9,5	49,3	49,5	63,5	22
06382-1110	M10	14	88	15	16	24	25	10	44,5	9,5	49,3	49,5	63,5	22
06382-1210	M10	17	106	15	19	28	32	12	51	10,5	56,3	56,5	74	24
06382-1212	M12	17	106	15	19	28	32	12	51	10,5	56,3	56,5	74	24
06382-1312	M12	23	128,5	15	23	33	32	13	57,5	12,5	64,5	64,5	87,5	26
06382-1316	M16	23	128,5	15	23	33	32	13	57,5	12,5	64,5	64,5	87,5	26