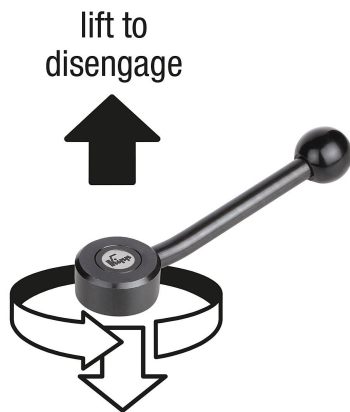


Item description/product images

**Description****Material:**

Steel parts stainless steel 1.4305.
Ball knob black plastic.

Version:

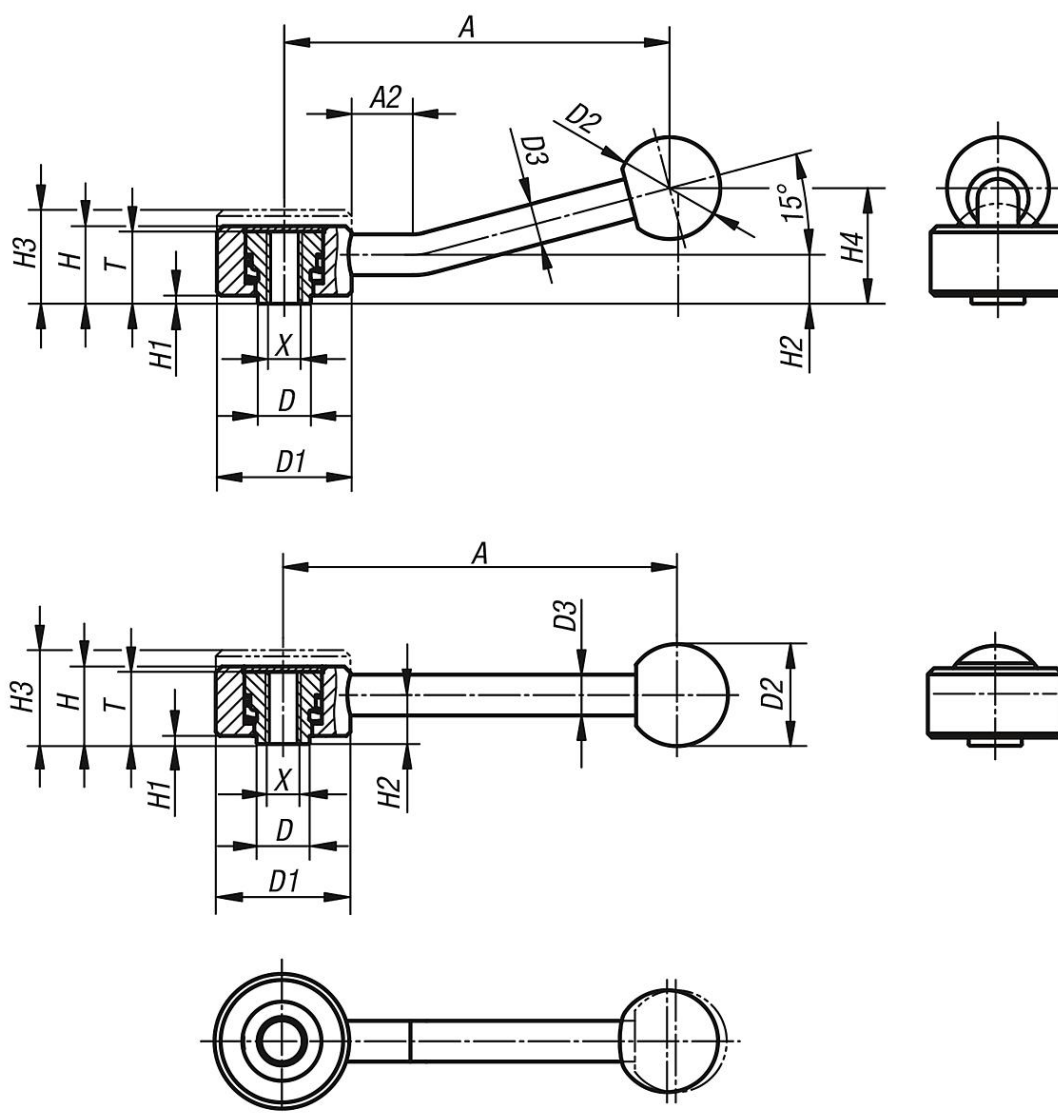
Steel parts bright.

On request:

Other threads and special versions.

Dimensions "H1" and "A" available in other lengths at extra charge.

Drawings



Overview of items

Order No.	Kind of fastening	Form	X	T	A=Handle length	A2	D	D1	D2	D3	H	H1	H2	H3	H4	No. of teeth
06391-1081	internal thread	0°	M8	18	102	-	13,5	33	25	10	19	2	12	23	-	26
06391-2101	internal thread	0°	M10	21	131	-	19	41	30	12	22	2	13,5	26	-	30
06391-2121	internal thread	0°	M12	21	131	-	19	41	30	12	22	2	13,5	26	-	30
06391-3161	internal thread	0°	M16	27	148	-	23	45	37	14	28	2	17	33	-	36
06391-1082	internal thread	15°	M8	18	100	15	13,5	33	25	10	19	2	12	23	29	26
06391-2102	internal thread	15°	M10	21	127	15	19	41	30	12	22	2	13,5	26	38	30
06391-2122	internal thread	15°	M12	21	127	15	19	41	30	12	22	2	13,5	26	38	30
06391-3162	internal thread	15°	M16	27	145	15	23	45	37	14	28	2	17	33	48	36