

Item description/product images



Description

Material:

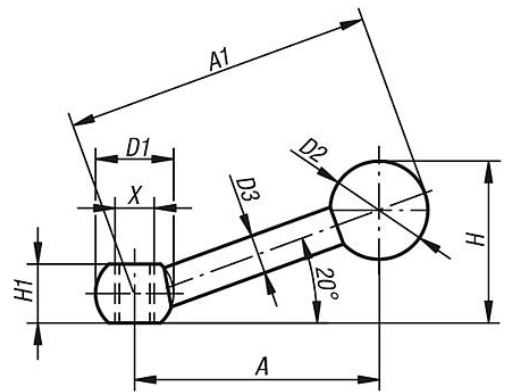
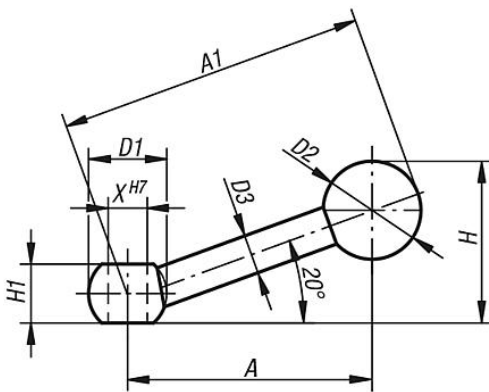
Steel.

Ball knob thermoset.

Version:

Black oxidised, ball knob black.

Drawings



Overview of items

Order No. reamed hole	Order No. internal thread	X	A=Handle length	A1	D1	D2	D3	H	H1
06420-108	06420-208	8/M8	50	63	16	20	8	33	12
06420-110	06420-210	10/M10	66	80	20	20	9	40	14,5
06420-112	06420-212	12/M12	82,5	100	25	25	11	50	18,5
06420-116	06420-216	16/M16	103	125	32	32	15	63	24