

Item description/product images



lift to  
disengage



Description

Material:

Handle die-cast zinc DIN EN 12844.  
Steel parts grade 5.8.

Version:

Handle powder-coated.  
Steel parts black oxidised.

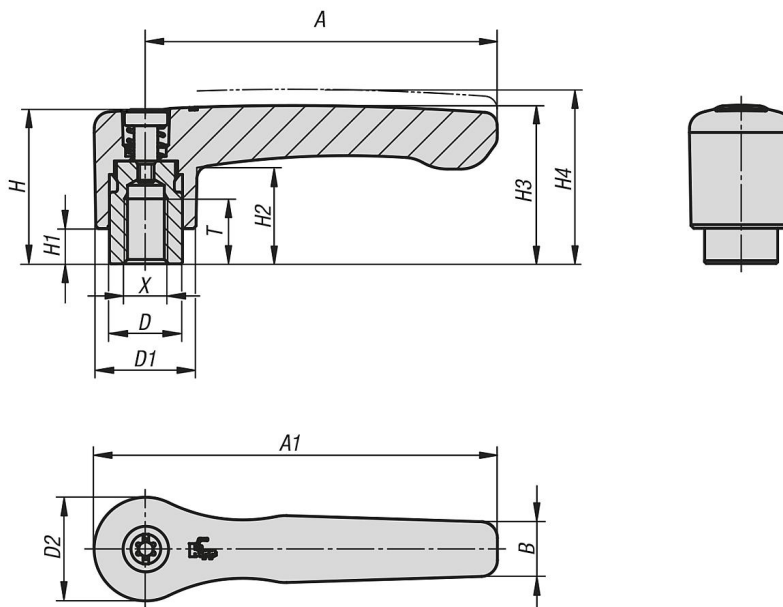
Note:

Standard colours are:  
black satin finish, orange RAL 2004.

On request:

Other threads, colours and special versions.  
Dimension "H1" available in other lengths at extra charge.

Drawings



Overview of items

Order No.	Main colour	Size	X	T	D	D1	D2	H	H1	H2	H3	H4	A	A1	B	No. of teeth
06448-2061	black	2	M6	12	13,5	18,5	19,1	28,5	6,5	17,8	29,2	32,2	65	74,5	10,1	20
06448-2081	black	2	M8	12	13,5	18,5	19,1	28,5	6,5	17,8	29,2	32,2	65	74,5	10,1	20

## Overview of items

Order No.	Main colour	Size	X	T	D	D1	D2	H	H1	H2	H3	H4	A	A1	B	No. of teeth
06448-3081	black	3	M8	14	16	21,2	22	37	10	23,8	38	42	80	91	11,7	22
06448-3101	black	3	M10	14	16	21,2	22	37	10	23,8	38	42	80	91	11,7	22
06448-2062	orange RAL 2004	2	M6	12	13,5	18,5	19,1	28,5	6,5	17,8	29,2	32,2	65	74,5	10,1	20
06448-2082	orange RAL 2004	2	M8	12	13,5	18,5	19,1	28,5	6,5	17,8	29,2	32,2	65	74,5	10,1	20
06448-3082	orange RAL 2004	3	M8	14	16	21,2	22	37	10	23,8	38	42	80	91	11,7	22
06448-3102	orange RAL 2004	3	M10	14	16	21,2	22	37	10	23,8	38	42	80	91	11,7	22