

Item description/product images



**Description**

**Material:**

Handle die-cast zinc DIN EN 12844.  
Steel parts grade 5.8.  
Protective cap stainless steel 1.4305.

**Version:**

Handle powder-coated.  
Steel parts black oxidised.  
Caps bright stainless steel.

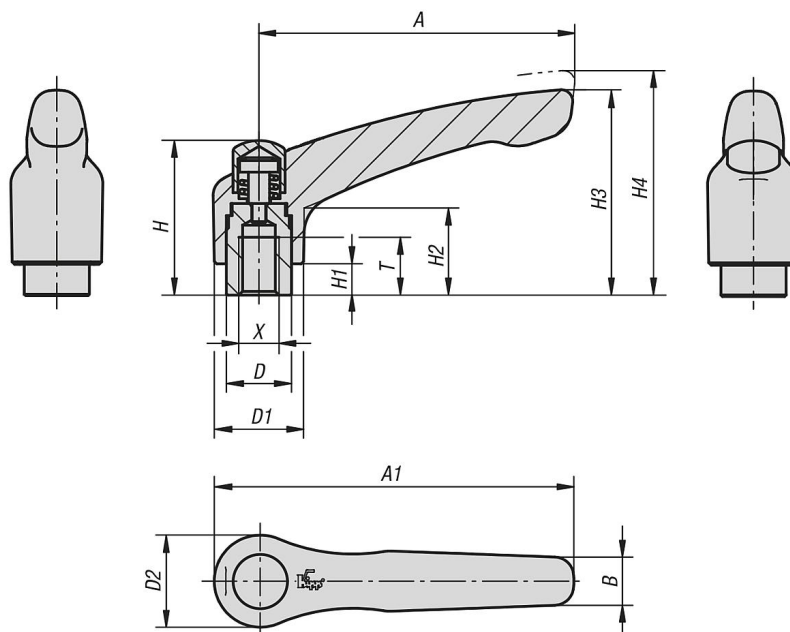
**Note:**

Standard colours are:  
black satin finish, orange RAL 2004.

**On request:**

Other threads, colours and special versions.  
Dimension "H1" available in other lengths at extra charge.

Drawings



Overview of items

Order No.	Main colour	Size	X	T	D	D1	D2	H	H1	H2	H3	H4	A	A1	B	No. of teeth
06450-92061	black	2	M6	12	13,5	18,5	19	-	6,5	17,5	42,5	45,5	65	74,5	9,5	20
06450-92081	black	2	M8	12	13,5	18,5	19	-	6,5	17,5	42,5	45,5	65	74,5	9,5	20
06450-93081	black	3	M8	14	16	21	22	37	10	24	54,5	58,5	80	91	11	22
06450-93101	black	3	M10	14	16	21	22	37	10	24	54,5	58,5	80	91	11	22
06450-92062	orange RAL 2004	2	M6	12	13,5	18,5	19	-	6,5	17,5	42,5	45,5	65	74,5	9,5	20
06450-92082	orange RAL 2004	2	M8	12	13,5	18,5	19	-	6,5	17,5	42,5	45,5	65	74,5	9,5	20
06450-93082	orange RAL 2004	3	M8	14	16	21	22	37	10	24	54,5	58,5	80	91	11	22
06450-93102	orange RAL 2004	3	M10	14	16	21	22	37	10	24	54,5	58,5	80	91	11	22

