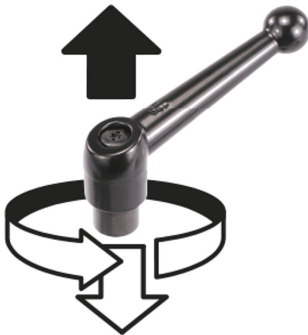


## Item description/product images



## STAINLESS STEEL

lift to  
disengage



## Description

**Material:**

Handle die-cast zinc DIN EN 12844.  
Steel parts stainless steel 1.4305.

**Version:**

Handle plastic-coated.  
Stainless steel bright.

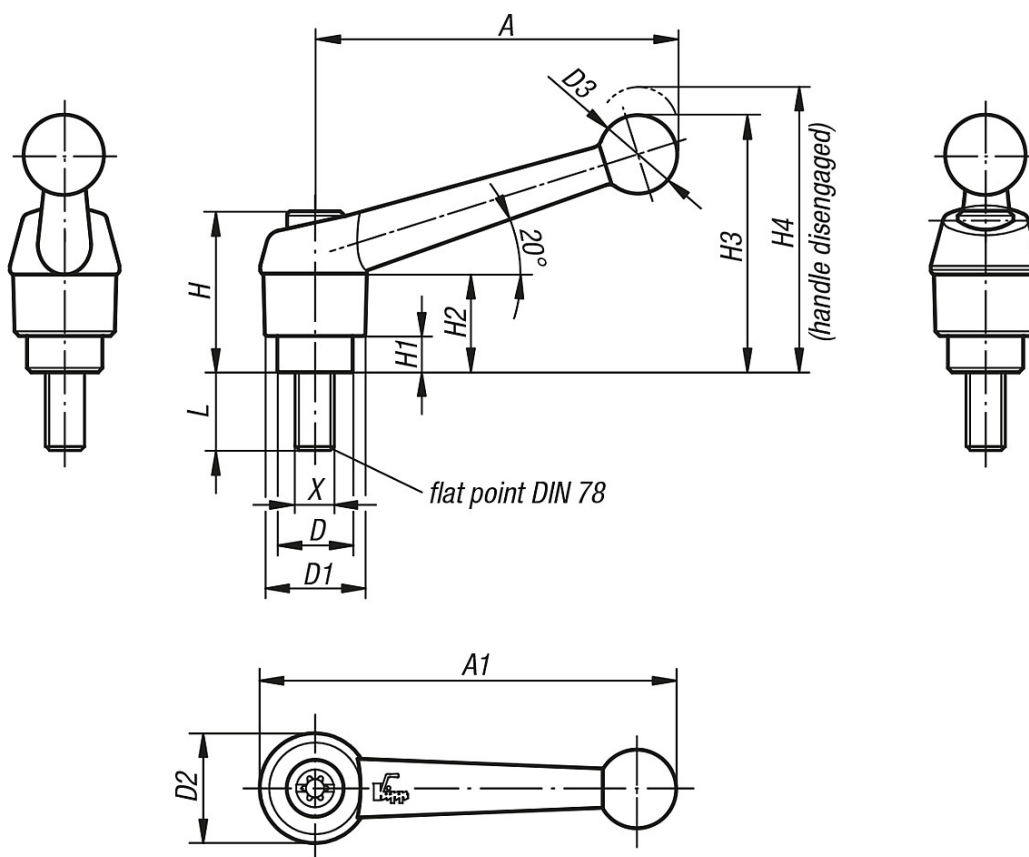
**Note:**

Standard colours are:  
black satin finish, silver metallic.

**On request:**

Other external threads, screw lengths, colours and special versions.  
Dimension "H1" available in other lengths at extra charge.

Drawings



Overview of items

Specifications

Order No. black satin finish	Order No. silver metallic	Size	X	D	D1	D2	D3	H	H1	H2	H3	H4	A	A1	No. of teeth	L
06431-1051X	06431-1053X	1	M5	10	13	14	10,5	24,5	4	15	32,5	35,5	39	46	16	10/15/20/25
06431-1061X	06431-1063X	1	M6	10	13	14	10,5	24,5	4	15	32,5	35,5	39	46	16	10/15/20/25/30/40/50
06431-2061X	06431-2063X	2	M6	13,5	18	18,5	15,5	28,5	6,5	16,5	45,5	49,5	64	73	20	15/20/25/30/40/50/60
06431-2081X	06431-2083X	2	M8	13,5	18	18,5	15,5	28,5	6,5	16,5	45,5	49,5	64	73	20	15/20/25/30/40/50/60
06431-2101X	06431-2103X	2	M10	13,5	18	18,5	15,5	28,5	6,5	16,5	45,5	49,5	64	73	20	20/25/30/40/50/60
06431-3081X	06431-3083X	3	M8	16	21	22	17	37	10	23	57,5	61,5	79	90	22	20/25/30/40/50/60
06431-3101X	06431-3103X	3	M10	16	21	22	17	37	10	23	57,5	61,5	79	90	22	20/25/30/40/50/60
06431-4121X	06431-4123X	4	M12	19	25	26	19	42,5	10	26	67	72	95	108	24	25/30/40/50/60
06431-5161X	06431-5163X	5	M16	23	30	31	22	49	12	32	79	84	110	126	26	30/40/50/60