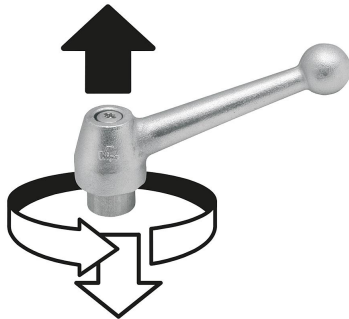


## Item description/product images



lift to  
disengage



## Description

**Material:**

Handle stainless steel 1.4308.  
All other metal parts stainless steel 1.4305.

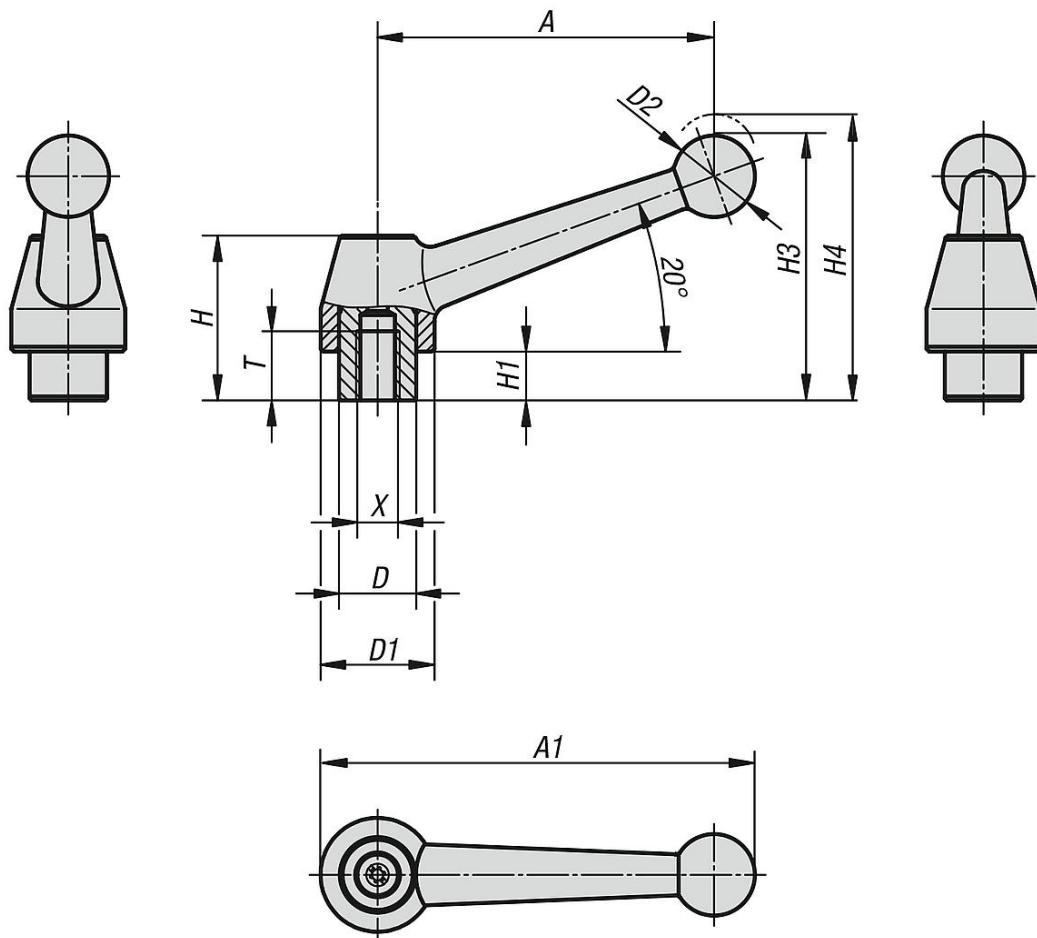
**Version:**

Stainless steel grip electropolished.  
Steel parts bright.

**On request:**

Other threads and special versions.  
Dimension "H1" available in other lengths at extra charge.

Drawings



Overview of items

Order No.	Main material	X	A	A1	T	D	D1	D2	H	H1	H3	H4	No. of teeth
06440-1108	stainless steel	M8	83	107	17	19	28	20	40,5	12	65	68,5	24
06440-1110	stainless steel	M10	83	107	17	19	28	20	40,5	12	65	68,5	24
06440-1112	stainless steel	M12	83	107	17	19	28	20	40,5	12	65	68,5	24