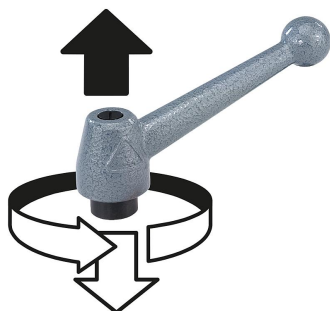


Item description/product images



lift to
disengage



Description

Material:

Handle steel 1.0401.

All other steel parts grade 5.8.

Version:

Handle painted silver-grey hammer-tone.

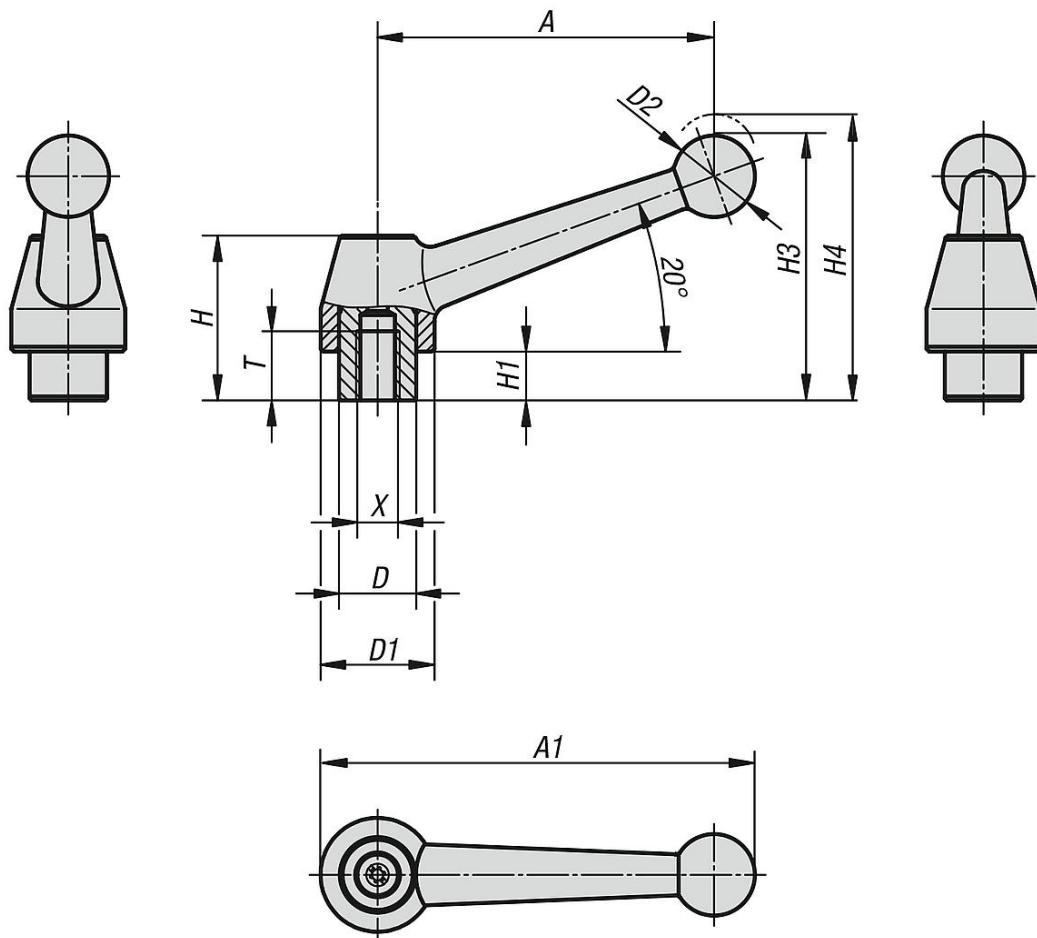
Steel parts black oxidised.

On request:

Other threads and special versions.

Dimension "H1" available in other lengths at extra charge.

Drawings



Overview of items

Order No.	Main material	X	A	A1	T	D	D1	D2	H	H1	H3	H4	No. of teeth
06440-108	steel	M8	83	107	17	19	28	20	40,5	12	65	68,5	24
06440-110	steel	M10	83	107	17	19	28	20	40,5	12	65	68,5	24
06440-112	steel	M12	83	107	17	19	28	20	40,5	12	65	68,5	24
06440-212	steel	M12	108	138	23	23	35	25	51,5	12	79,5	84	26
06440-216	steel	M16	108	138	23	23	35	25	51,5	12	79,5	84	26
06440-316	steel	M16	132	168	27	30	43	30	60	12	93	97,5	36
06440-320	steel	M20	132	168	27	30	43	30	60	12	93	97,5	36