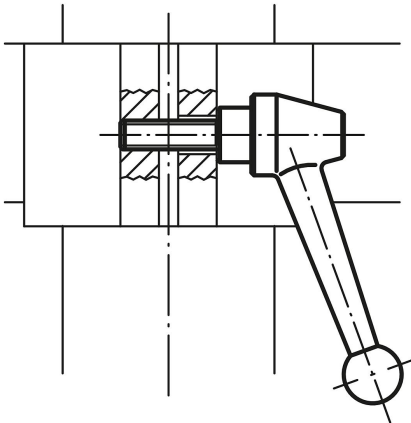
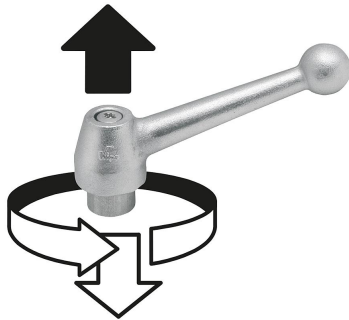


Item description/product images



lift to
disengage



Description

Material:

Handle stainless steel 1.4308.
All other metal parts stainless steel 1.4305.

Version:

Stainless steel grip electropolished.
Steel parts bright.

Note:

Where $L \geq 60$ mm the thread length is always 60 mm.

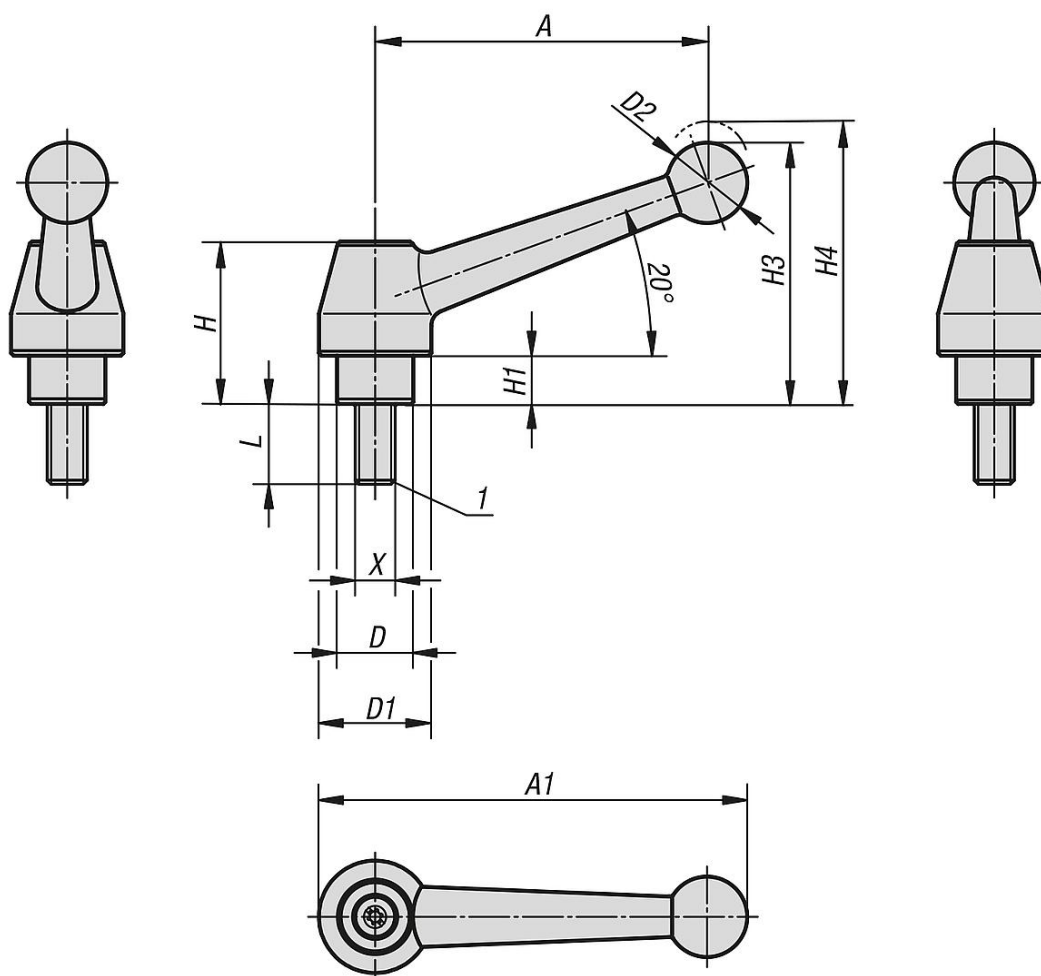
On request:

Other threads, screw lengths and special versions.
Dimension "H1" available in other lengths at extra charge.

Drawing reference:

1) flat point DIN 78

Drawings



Overview of items

Order No.	Main material	Size	X	D	D1	D2	H	H1	H3	H4	A	A1	No. of teeth	L
06441-1110X25	stainless steel	1	M10	19	28	20	40,5	12	65	68,5	83	107	24	25
06441-1110X30	stainless steel	1	M10	19	28	20	40,5	12	65	68,5	83	107	24	30
06441-1110X40	stainless steel	1	M10	19	28	20	40,5	12	65	68,5	83	107	24	40
06441-1110X50	stainless steel	1	M10	19	28	20	40,5	12	65	68,5	83	107	24	50
06441-1110X60	stainless steel	1	M10	19	28	20	40,5	12	65	68,5	83	107	24	60
06441-1112X25	stainless steel	1	M12	19	28	20	40,5	12	65	68,5	83	107	24	25
06441-1112X30	stainless steel	1	M12	19	28	20	40,5	12	65	68,5	83	107	24	30
06441-1112X40	stainless steel	1	M12	19	28	20	40,5	12	65	68,5	83	107	24	40
06441-1112X50	stainless steel	1	M12	19	28	20	40,5	12	65	68,5	83	107	24	50
06441-1112X60	stainless steel	1	M12	19	28	20	40,5	12	65	68,5	83	107	24	60