

Handwheels disc aluminium

Item description/product images



Description

Material:

Disc handwheel aluminium.
 Cylinder grip black thermoset PF 31-DIN 7708.
 Hub electro zinc-plated steel.

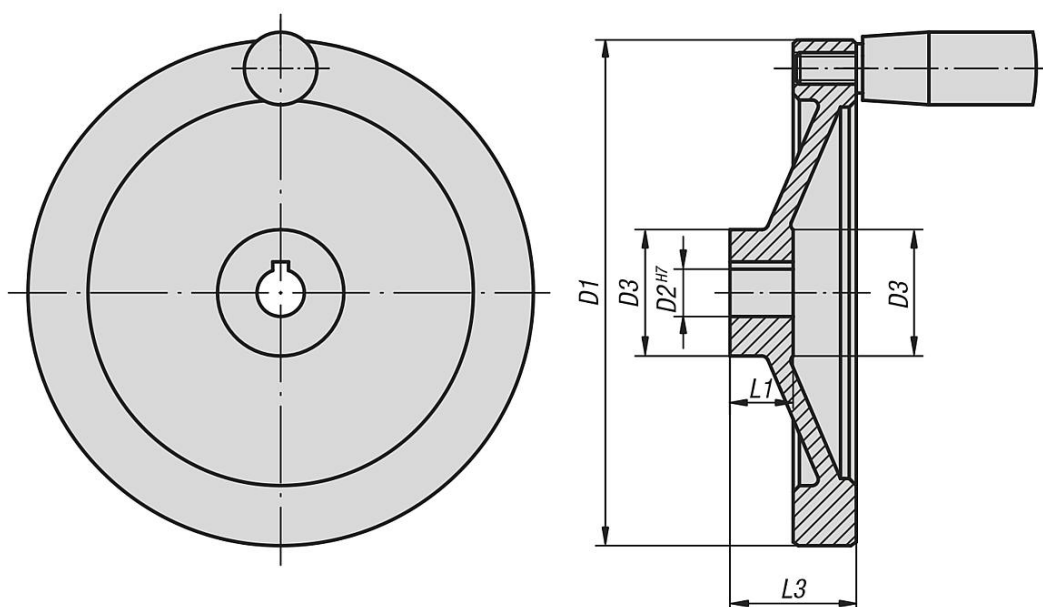
Version:

Black, powder-coated.
 Wheel rim turned.

On request:

Hubs with square socket.

Drawings



Overview of items

Handwheels disc, aluminium, without grip

| Order No. | Version 1 | D1 | D2 | D3 | L1 | L3 | B3 | T | Fixed cylinder grip | Revolving cylinder grip |
|----------------|-------------|----|------|----|----|----|----|---|---------------------|-------------------------|
| K0161.01080X10 | reamed hole | 80 | 10H7 | 26 | 16 | 31 | - | - | - | - |

Handwheels disc aluminium

Overview of items

| Order No. | Version 1 | D1 | D2 | D3 | L1 | L3 | B3 | T | Fixed cylinder grip | Revolving cylinder grip |
|----------------|-----------------------|-----|------|----|----|----|----|------|---------------------|-------------------------|
| K0161.01080X12 | reamed hole | 80 | 12H7 | 26 | 16 | 31 | - | - | - | - |
| K0161.01100X10 | reamed hole | 100 | 10H7 | 31 | 17 | 34 | - | - | - | - |
| K0161.01100X12 | reamed hole | 100 | 12H7 | 31 | 17 | 34 | - | - | - | - |
| K0161.01125X12 | reamed hole | 125 | 12H7 | 30 | 18 | 37 | - | - | - | - |
| K0161.01125X14 | reamed hole | 125 | 14H7 | 30 | 18 | 37 | - | - | - | - |
| K0161.01140X14 | reamed hole | 140 | 14H7 | 34 | 19 | 34 | - | - | - | - |
| K0161.01140X15 | reamed hole | 140 | 15H7 | 34 | 19 | 34 | - | - | - | - |
| K0161.01160X15 | reamed hole | 160 | 15H7 | 40 | 20 | 40 | - | - | - | - |
| K0161.01160X16 | reamed hole | 160 | 16H7 | 40 | 20 | 40 | - | - | - | - |
| K0161.01200X18 | reamed hole | 200 | 18H7 | 50 | 24 | 46 | - | - | - | - |
| K0161.01200X20 | reamed hole | 200 | 20H7 | 50 | 24 | 46 | - | - | - | - |
| K0161.01250X22 | reamed hole | 250 | 22H7 | 50 | 28 | 49 | - | - | - | - |
| K0161.01250X24 | reamed hole | 250 | 24H7 | 50 | 28 | 49 | - | - | - | - |
| K0161.11080X10 | reamed hole with slot | 80 | 10H7 | 26 | 16 | 31 | 3 | 11,4 | - | - |
| K0161.11080X12 | reamed hole with slot | 80 | 12H7 | 26 | 16 | 31 | 4 | 13,8 | - | - |
| K0161.11100X10 | reamed hole with slot | 100 | 10H7 | 31 | 17 | 34 | 3 | 11,4 | - | - |
| K0161.11100X12 | reamed hole with slot | 100 | 12H7 | 31 | 17 | 34 | 4 | 13,8 | - | - |
| K0161.11125X12 | reamed hole with slot | 125 | 12H7 | 30 | 18 | 37 | 4 | 13,8 | - | - |
| K0161.11125X14 | reamed hole with slot | 125 | 14H7 | 30 | 18 | 37 | 5 | 16,3 | - | - |
| K0161.11140X14 | reamed hole with slot | 140 | 14H7 | 34 | 19 | 34 | 5 | 16,3 | - | - |
| K0161.11140X15 | reamed hole with slot | 140 | 15H7 | 34 | 19 | 34 | 5 | 17,3 | - | - |
| K0161.11160X15 | reamed hole with slot | 160 | 15H7 | 40 | 20 | 40 | 5 | 17,3 | - | - |
| K0161.11160X16 | reamed hole with slot | 160 | 16H7 | 40 | 20 | 40 | 5 | 18,3 | - | - |
| K0161.11200X18 | reamed hole with slot | 200 | 18H7 | 50 | 24 | 46 | 6 | 20,8 | - | - |
| K0161.11200X20 | reamed hole with slot | 200 | 20H7 | 50 | 24 | 46 | 6 | 22,8 | - | - |
| K0161.11250X22 | reamed hole with slot | 250 | 22H7 | 50 | 28 | 49 | 6 | 24,8 | - | - |
| K0161.11250X24 | reamed hole with slot | 250 | 24H7 | 50 | 28 | 49 | 8 | 27,3 | - | - |
| K0161.21080X10 | reamed hole | 80 | 10H7 | 26 | 16 | 31 | - | - | ø18 x M6 x 40 | - |
| K0161.21080X12 | reamed hole | 80 | 12H7 | 26 | 16 | 31 | - | - | ø18 x M6 x 40 | - |
| K0161.21100X10 | reamed hole | 100 | 10H7 | 31 | 17 | 34 | - | - | ø18 x M6 x 40 | - |
| K0161.21100X12 | reamed hole | 100 | 12H7 | 31 | 17 | 34 | - | - | ø18 x M6 x 40 | - |
| K0161.21125X12 | reamed hole | 125 | 12H7 | 30 | 18 | 37 | - | - | ø21 x M8 x 50 | - |
| K0161.21125X14 | reamed hole | 125 | 14H7 | 30 | 18 | 37 | - | - | ø21 x M8 x 50 | - |
| K0161.21140X14 | reamed hole | 140 | 14H7 | 34 | 19 | 34 | - | - | ø21 x M8 x 50 | - |
| K0161.21140X15 | reamed hole | 140 | 15H7 | 34 | 19 | 34 | - | - | ø21 x M8 x 50 | - |
| K0161.21160X15 | reamed hole | 160 | 15H7 | 40 | 20 | 40 | - | - | ø26 x M10 x 80 | - |
| K0161.21160X16 | reamed hole | 160 | 16H7 | 40 | 20 | 40 | - | - | ø26 x M10 x 80 | - |
| K0161.21200X18 | reamed hole | 200 | 18H7 | 50 | 24 | 46 | - | - | ø26 x M10 x 80 | - |
| K0161.21200X20 | reamed hole | 200 | 20H7 | 50 | 24 | 46 | - | - | ø26 x M10 x 80 | - |
| K0161.21250X22 | reamed hole | 250 | 22H7 | 50 | 28 | 49 | - | - | ø28 x M12 x 90 | - |
| K0161.21250X24 | reamed hole | 250 | 24H7 | 50 | 28 | 49 | - | - | ø28 x M12 x 90 | - |
| K0161.31080X10 | reamed hole with slot | 80 | 10H7 | 26 | 16 | 31 | 3 | 11,4 | ø18 x M6 x 40 | - |
| K0161.31080X12 | reamed hole with slot | 80 | 12H7 | 26 | 16 | 31 | 4 | 13,8 | ø18 x M6 x 40 | - |
| K0161.31100X10 | reamed hole with slot | 100 | 10H7 | 31 | 17 | 34 | 3 | 11,4 | ø18 x M6 x 40 | - |
| K0161.31100X12 | reamed hole with slot | 100 | 12H7 | 31 | 17 | 34 | 4 | 13,8 | ø18 x M6 x 40 | - |
| K0161.31125X12 | reamed hole with slot | 125 | 12H7 | 30 | 18 | 37 | 4 | 13,8 | ø21 x M8 x 50 | - |
| K0161.31125X14 | reamed hole with slot | 125 | 14H7 | 30 | 18 | 37 | 5 | 16,3 | ø21 x M8 x 50 | - |
| K0161.31140X14 | reamed hole with slot | 140 | 14H7 | 34 | 19 | 34 | 5 | 16,3 | ø21 x M8 x 50 | - |
| K0161.31140X15 | reamed hole with slot | 140 | 15H7 | 34 | 19 | 34 | 5 | 17,3 | ø21 x M8 x 50 | - |
| K0161.31160X15 | reamed hole with slot | 160 | 15H7 | 40 | 20 | 40 | 5 | 17,3 | ø26 x M10 x 80 | - |
| K0161.31160X16 | reamed hole with slot | 160 | 16H7 | 40 | 20 | 40 | 5 | 18,3 | ø26 x M10 x 80 | - |
| K0161.31200X18 | reamed hole with slot | 200 | 18H7 | 50 | 24 | 46 | 6 | 20,8 | ø26 x M10 x 80 | - |
| K0161.31200X20 | reamed hole with slot | 200 | 20H7 | 50 | 24 | 46 | 6 | 22,8 | ø26 x M10 x 80 | - |
| K0161.31250X22 | reamed hole with slot | 250 | 22H7 | 50 | 28 | 49 | 6 | 24,8 | ø28 x M12 x 90 | - |
| K0161.31250X24 | reamed hole with slot | 250 | 24H7 | 50 | 28 | 49 | 8 | 27,3 | ø28 x M12 x 90 | - |
| K0161.41080X10 | reamed hole | 80 | 10H7 | 26 | 16 | 31 | - | - | - | ø18 x M6 x 40 |
| K0161.41080X12 | reamed hole | 80 | 12H7 | 26 | 16 | 31 | - | - | - | ø18 x M6 x 40 |
| K0161.41100X10 | reamed hole | 100 | 10H7 | 31 | 17 | 34 | - | - | - | ø18 x M6 x 40 |
| K0161.41100X12 | reamed hole | 100 | 12H7 | 31 | 17 | 34 | - | - | - | ø18 x M6 x 40 |
| K0161.41125X12 | reamed hole | 125 | 12H7 | 30 | 18 | 37 | - | - | - | ø22 x M8 x 56 |
| K0161.41125X14 | reamed hole | 125 | 14H7 | 30 | 18 | 37 | - | - | - | ø22 x M8 x 56 |

Handwheels disc aluminium

Overview of items

| Order No. | Version 1 | D1 | D2 | D3 | L1 | L3 | B3 | T | Fixed cylinder grip | Revolving cylinder grip |
|----------------|-----------------------|-----|------|----|----|----|----|------|---------------------|-------------------------|
| K0161.41140X14 | reamed hole | 140 | 14H7 | 34 | 19 | 34 | - | - | - | ø22 x M8 x 56 |
| K0161.41140X15 | reamed hole | 140 | 15H7 | 34 | 19 | 34 | - | - | - | ø22 x M8 x 56 |
| K0161.41160X15 | reamed hole | 160 | 15H7 | 40 | 20 | 40 | - | - | - | ø26 x M10 x 80 |
| K0161.41160X16 | reamed hole | 160 | 16H7 | 40 | 20 | 40 | - | - | - | ø26 x M10 x 80 |
| K0161.41200X18 | reamed hole | 200 | 18H7 | 50 | 24 | 46 | - | - | - | ø26 x M10 x 80 |
| K0161.41200X20 | reamed hole | 200 | 20H7 | 50 | 24 | 46 | - | - | - | ø26 x M10 x 80 |
| K0161.41250X22 | reamed hole | 250 | 22H7 | 50 | 28 | 49 | - | - | - | ø31 x M12 x 102 |
| K0161.41250X24 | reamed hole | 250 | 24H7 | 50 | 28 | 49 | - | - | - | ø31 x M12 x 102 |
| K0161.51080X10 | reamed hole with slot | 80 | 10H7 | 26 | 16 | 31 | 3 | 11,4 | - | ø18 x M6 x 40 |
| K0161.51080X12 | reamed hole with slot | 80 | 12H7 | 26 | 16 | 31 | 4 | 13,8 | - | ø18 x M6 x 40 |
| K0161.51100X10 | reamed hole with slot | 100 | 10H7 | 31 | 17 | 34 | 3 | 11,4 | - | ø18 x M6 x 40 |
| K0161.51100X12 | reamed hole with slot | 100 | 12H7 | 31 | 17 | 34 | 4 | 13,8 | - | ø18 x M6 x 40 |
| K0161.51125X12 | reamed hole with slot | 125 | 12H7 | 30 | 18 | 37 | 4 | 13,8 | - | ø22 x M8 x 56 |
| K0161.51125X14 | reamed hole with slot | 125 | 14H7 | 30 | 18 | 37 | 5 | 16,3 | - | ø22 x M8 x 56 |
| K0161.51140X14 | reamed hole with slot | 140 | 14H7 | 34 | 19 | 34 | 5 | 16,3 | - | ø22 x M8 x 56 |
| K0161.51140X15 | reamed hole with slot | 140 | 15H7 | 34 | 19 | 34 | 5 | 17,3 | - | ø22 x M8 x 56 |
| K0161.51160X15 | reamed hole with slot | 160 | 15H7 | 40 | 20 | 40 | 5 | 17,3 | - | ø26 x M10 x 80 |
| K0161.51160X16 | reamed hole with slot | 160 | 16H7 | 40 | 20 | 40 | 5 | 18,3 | - | ø26 x M10 x 80 |
| K0161.51200X18 | reamed hole with slot | 200 | 18H7 | 50 | 24 | 46 | 6 | 20,8 | - | ø26 x M10 x 80 |
| K0161.51200X20 | reamed hole with slot | 200 | 20H7 | 50 | 24 | 46 | 6 | 22,8 | - | ø26 x M10 x 80 |
| K0161.51250X22 | reamed hole with slot | 250 | 22H7 | 50 | 28 | 49 | 6 | 24,8 | - | ø31 x M12 x 102 |
| K0161.51250X24 | reamed hole with slot | 250 | 24H7 | 50 | 28 | 49 | 8 | 27,3 | - | ø31 x M12 x 102 |