

Handwheels with revolving grip

Item description/product images



Description

Material:

Black grey thermoplastic.

Version:

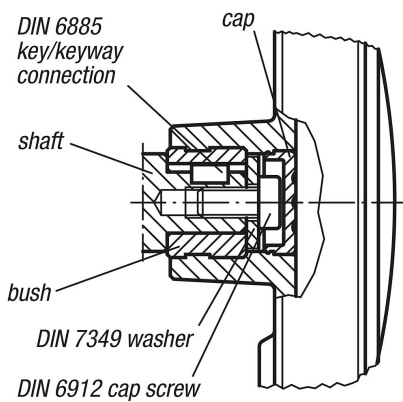
Steel parts black oxidised.

Note:

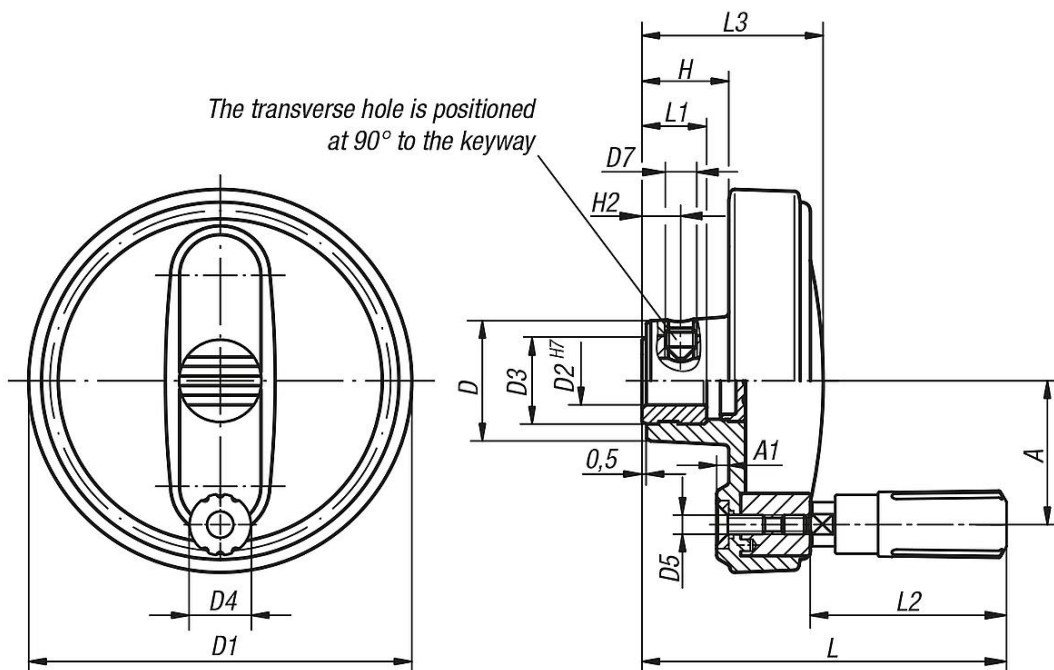
The hub cover and the revolving cylinder grip are supplied unassembled. To assemble, screw the grip into the tapped hole.

The handwheels can be secured to a shaft using a transverse pin or by parallel key connection together with a DIN 6912 cap screw and a DIN 7349 washer.

Versions with transverse bore are secured using the ISO 4027 (DIN 914) grub screw.

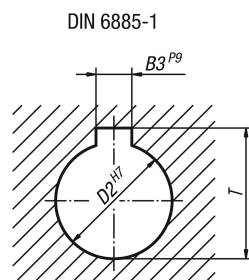


Drawings



Handwheels with revolving grip

Drawings



Overview of items

Handwheels with revolving cylinder grip

Order No.	Version 1	Version 2	D	D1	D2	D3	D4	D5	D7	A	A1	H	H2	L	L1	L2	L3	B3	T
K0257.108008	reamed hole	without transverse hole	25	80	8H7	19	14	M4	-	30	2,5	17,6	-	74,6	13	40	36,7	-	-
K0257.108010	reamed hole	without transverse hole	25	80	10H7	19	14	M4	-	30	2,5	17,6	-	74,6	13	40	36,7	-	-
K0257.108012	reamed hole	without transverse hole	25	80	12H7	19	14	M4	-	30	2,5	17,6	-	74,6	13	40	36,7	-	-
K0257.210010	reamed hole	without transverse hole	28	100	10H7	19	16	M5	-	38	3	20,1	-	90,2	13	49,1	43,5	-	-
K0257.210012	reamed hole	without transverse hole	28	100	12H7	19	16	M5	-	38	3	20,1	-	90,2	13	49,1	43,5	-	-
K0257.312512	reamed hole	without transverse hole	35	125	12H7	25	20	M6	-	47,5	4	23,3	-	110,7	18,5	61,4	52,1	-	-
K0257.312514	reamed hole	without transverse hole	35	125	14H7	25	20	M6	-	47,5	4	23,3	-	110,7	18,5	61,4	52,1	-	-
K0257.312516	reamed hole	without transverse hole	35	125	16H7	25	20	M6	-	47,5	4	23,3	-	110,7	18,5	61,4	52,1	-	-
K0257.416014	reamed hole	without transverse hole	45	160	14H7	25	25	M8	-	62	5,6	28	-	143	18,5	82,5	63,8	-	-
K0257.416016	reamed hole	without transverse hole	45	160	16H7	25	25	M8	-	62	5,6	28	-	143	18,5	82,5	63,8	-	-
K0257.10800802	reamed hole with slot	without transverse hole	25	80	8H7	19	14	M4	-	30	2,5	17,6	-	74,6	13	40	36,7	2	9
K0257.10801003	reamed hole with slot	without transverse hole	25	80	10H7	19	14	M4	-	30	2,5	17,6	-	74,6	13	40	36,7	3	11,4
K0257.10801204	reamed hole with slot	without transverse hole	25	80	12H7	19	14	M4	-	30	2,5	17,6	-	74,6	13	40	36,7	4	13,8
K0257.21001003	reamed hole with slot	without transverse hole	28	100	10H7	19	16	M5	-	38	3	20,1	-	90,2	13	49,1	43,5	3	11,4
K0257.21001204	reamed hole with slot	without transverse hole	28	100	12H7	19	16	M5	-	38	3	20,1	-	90,2	13	49,1	43,5	4	13,8
K0257.31251204	reamed hole with slot	without transverse hole	35	125	12H7	25	20	M6	-	47,5	4	23,3	-	110,7	18,5	61,4	52,1	4	13,8
K0257.31251405	reamed hole with slot	without transverse hole	35	125	14H7	25	20	M6	-	47,5	4	23,3	-	110,7	18,5	61,4	52,1	5	16,3
K0257.31251605	reamed hole with slot	without transverse hole	35	125	16H7	25	20	M6	-	47,5	4	23,3	-	110,7	18,5	61,4	52,1	5	18,3
K0257.41601405	reamed hole with slot	without transverse hole	45	160	14H7	25	25	M8	-	62	5,6	28	-	143	18,5	82,5	63,8	5	16,3
K0257.41601605	reamed hole with slot	without transverse hole	45	160	16H7	25	25	M8	-	62	5,6	28	-	143	18,5	82,5	63,8	5	18,3
K0257.2100126	reamed hole	with transverse bore	28	100	12H7	19	16	M5	M6	38	3	20,1	7,5	90,2	13	49,1	43,5	-	-
K0257.3125126	reamed hole	with transverse bore	35	125	12H7	25	20	M6	M6	47,5	4	23,3	7,5	110,7	18,5	61,4	52,1	-	-
K0257.3125146	reamed hole	with transverse bore	35	125	14H7	25	20	M6	M6	47,5	4	23,3	7,5	110,7	18,5	61,4	52,1	-	-
K0257.3125166	reamed hole	with transverse bore	35	125	16H7	25	20	M6	M6	47,5	4	23,3	7,5	110,7	18,5	61,4	52,1	-	-
K0257.4160146	reamed hole	with transverse bore	45	160	14H7	25	25	M8	M6	62	5,6	28	7,5	143	18,5	82,5	63,8	-	-
K0257.4160166	reamed hole	with transverse bore	45	160	16H7	25	25	M8	M6	62	5,6	28	7,5	143	18,5	82,5	63,8	-	-
K0257.1080086	reamed hole	with transverse bore	25	80	8H7	19	14	M4	M6	30	2,5	17,6	7,5	74,6	13	40	36,7	-	-
K0257.1080106	reamed hole	with transverse bore	25	80	10H7	19	14	M4	M6	30	2,5	17,6	7,5	74,6	13	40	36,7	-	-
K0257.1080126	reamed hole	with transverse bore	25	80	12H7	19	14	M4	M6	30	2,5	17,6	7,5	74,6	13	40	36,7	-	-
K0257.2100106	reamed hole	with transverse bore	28	100	10H7	19	16	M5	M6	38	3	20,1	7,5	90,2	13	49,1	43,5	-	-
K0257.108008026	reamed hole with slot	with transverse bore	25	80	8H7	19	14	M4	M6	30	2,5	17,6	7,5	74,6	13	40	36,7	2	9
K0257.108010036	reamed hole with slot	with transverse bore	25	80	10H7	19	14	M4	M6	30	2,5	17,6	7,5	74,6	13	40	36,7	3	11,4
K0257.108012046	reamed hole with slot	with transverse bore	25	80	12H7	19	14	M4	M6	30	2,5	17,6	7,5	74,6	13	40	36,7	4	13,8
K0257.210010036	reamed hole with slot	with transverse bore	28	100	10H7	19	16	M5	M6	38	3	20,1	7,5	90,2	13	49,1	43,5	3	11,4
K0257.210012046	reamed hole with slot	with transverse bore	28	100	12H7	19	16	M5	M6	38	3	20,1	7,5	90,2	13	49,1	43,5	4	13,8
K0257.312512046	reamed hole with slot	with transverse bore	35	125	12H7	25	20	M6	M6	47,5	4	23,3	7,5	110,7	18,5	61,4	52,1	4	13,8
K0257.312514056	reamed hole with slot	with transverse bore	35	125	14H7	25	20	M6	M6	47,5	4	23,3	7,5	110,7	18,5	61,4	52,1	5	16,3
K0257.312516056	reamed hole with slot	with transverse bore	35	125	16H7	25	20	M6	M6	47,5	4	23,3	7,5	110,7	18,5	61,4	52,1	5	18,3
K0257.416014056	reamed hole with slot	with transverse bore	45	160	14H7	25	25	M8	M6	62	5,6	28	7,5	143	18,5	82,5	63,8	5	16,3
K0257.416016056	reamed hole with slot	with transverse bore	45	160	16H7	25	25	M8	M6	62	5,6	28	7,5	143	18,5	82,5	63,8	5	18,3

