

Crank handles offset similar to DIN 468

Item description/product images



Description

Material:

Crank arm malleable or ductile iron.

Version:

Blasted.

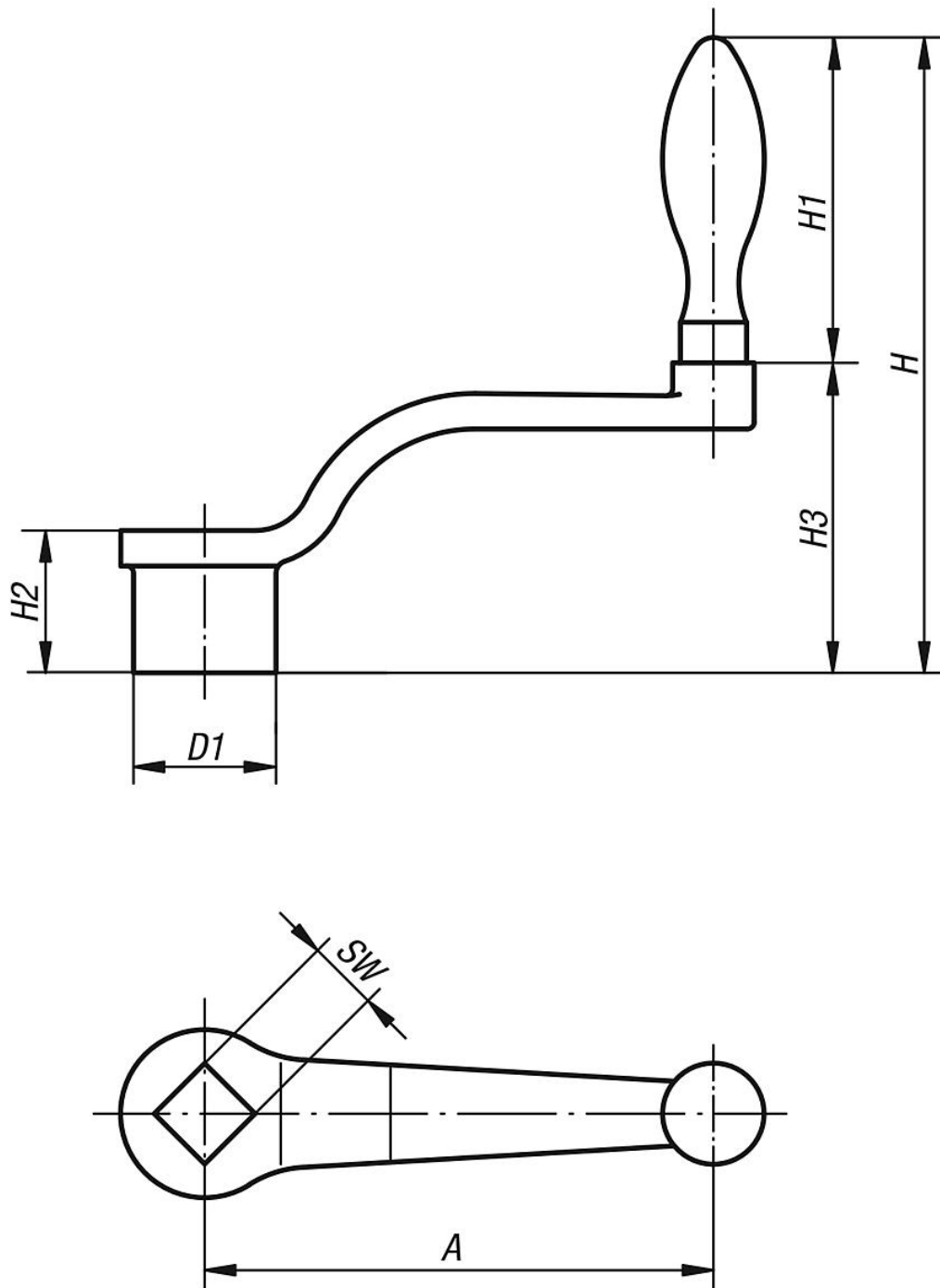
Drawing reference:

Form D: with revolving handle

Form F: with fixed handle

Crank handles offset similar to DIN 468

Drawings



Overview of items

Crank handles offset similar DIN 468

Order No.	Form	A	D1	H	H1	H2	H3	SW	Grip Ø
K0684.206X10	D	63	20	92	52	20	40	10+0,2	16
K0684.208X10	D	80	24	109	65	24	44	10+0,2	20
K0684.208X12	D	80	24	109	65	24	44	12+0,2	20
K0684.210X12	D	100	28	120	65	28	55	12+0,2	20

Crank handles offset similar to DIN 468

Overview of items

Order No.	Form	A	D1	H	H1	H2	H3	SW	Grip Ø
K0684.210X14	D	100	28	120	65	28	55	14+0,3	20
K0684.212X14	D	125	34	141	83	34	58	14+0,3	25
K0684.212X17	D	125	34	141	83	34	58	17+0,3	25
K0684.216X17	D	160	37	153	83	38	70	17+0,3	25
K0684.216X19	D	160	37	153	83	38	70	19+0,3	25
K0684.220X19	D	200	40	189	105	44	84	19+0,3	32
K0684.220X22	D	200	40	189	105	44	84	22+0,3	32
K0684.106X10	F	63	20	92	52	20	40	10+0,2	16
K0684.108X10	F	80	24	109	65	24	44	10+0,2	20
K0684.108X12	F	80	24	109	65	24	44	12+0,2	20
K0684.110X12	F	100	28	120	65	28	55	12+0,2	20
K0684.110X14	F	100	28	120	65	28	55	14+0,3	20
K0684.112X14	F	125	34	141	83	34	58	14+0,3	25
K0684.112X17	F	125	34	141	83	34	58	17+0,3	25
K0684.116X17	F	160	37	153	83	38	70	17+0,3	25
K0684.116X19	F	160	37	153	83	38	70	19+0,3	25
K0684.120X19	F	200	40	189	105	44	84	19+0,3	32
K0684.120X22	F	200	40	189	105	44	84	22+0,3	32