

Crank handles straight similar to DIN 469, Form D, with revolving grip

Item description/product images

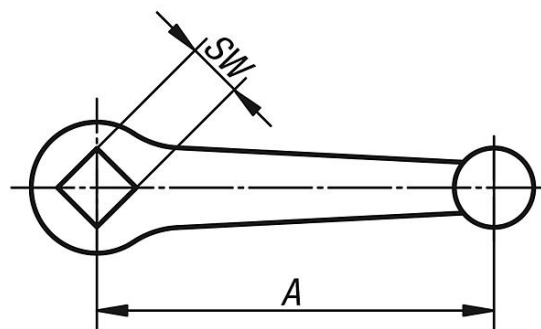
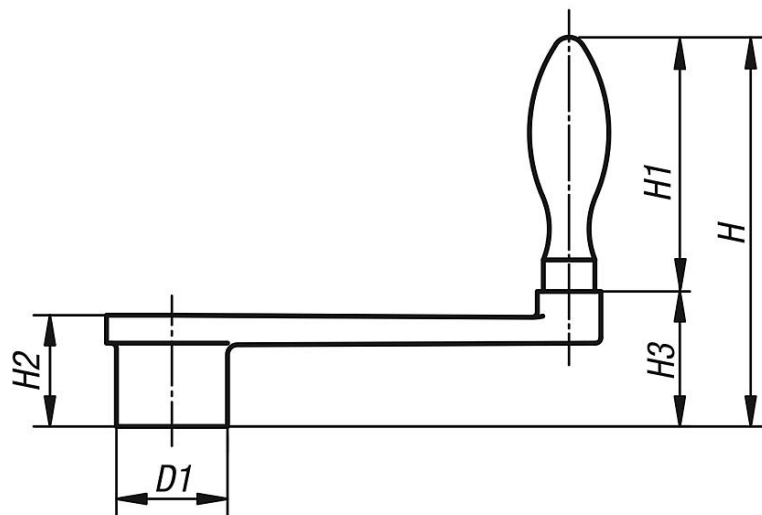


Description

Material:
Blasted.

Version:
Malleable or ductile cast iron crank arm.

Drawings



Overview of items

Order No.	Form	A	D1	H	H1	H2	H3	SW	Grip Ø
K0685.206X10	D	63	20	80	52	20	28	10+0,2	16
K0685.208X10	D	80	24	98	65	24	33	10+0,2	20
K0685.208X12	D	80	24	98	65	24	33	12+0,2	20

Crank handles straight similar to DIN 469, Form D, with revolving grip

Overview of items

Order No.	Form	A	D1	H	H1	H2	H3	SW	Grip Ø
K0685.210X12	D	100	28	102	65	28	37	12+0,2	20
K0685.210X14	D	100	28	102	65	28	37	14+0,3	20
K0685.212X14	D	125	34	120	80	34	40	14+0,3	25
K0685.212X17	D	125	34	120	80	34	40	17+0,3	25
K0685.216X17	D	160	37	131	83	38	48	17+0,3	25
K0685.216X19	D	160	37	131	83	38	48	19+0,3	25
K0685.220X19	D	200	40	158	105	44	53	19+0,3	32
K0685.220X22	D	200	40	158	105	44	53	22+0,3	32