

Crank handles with fold-away grip, with square socket

Item description/product images



Description

Version:

Black grey thermoplastic.
Steel parts black oxidised.

Note:

The hub cover is supplied unassembled.
Versions with transverse bore are secured using the ISO 4027 (DIN 914) grub screw.

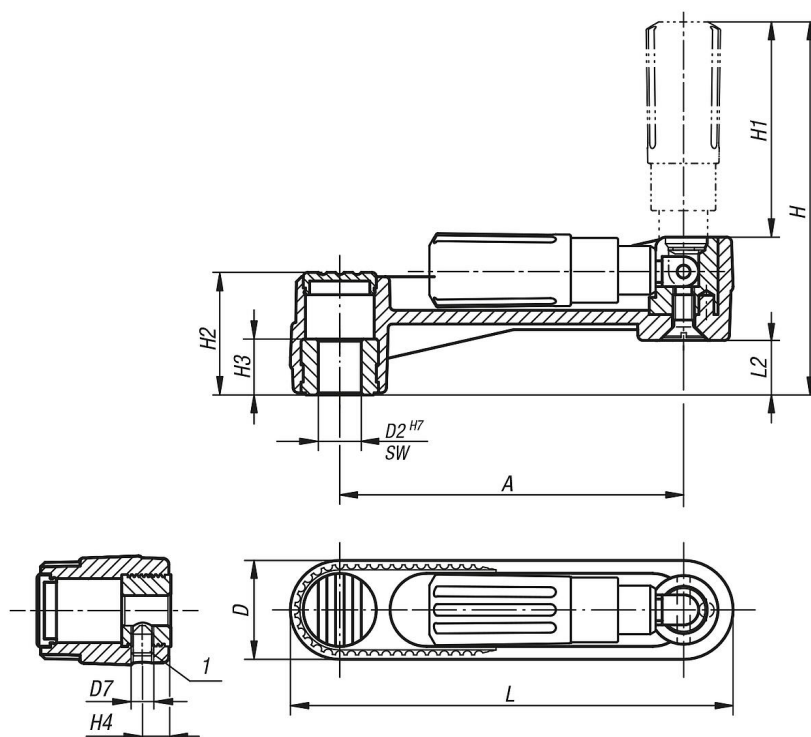
Accessory:

K1160 cap screws screws, low head DIN 6912.

Drawing reference:

1) Position of the transverse bore to the keyway is offset by 90°.

Drawings



Overview of items

Order No.	Version 1	Version 2	A	D	D7	H	H1	H2	H3	H4	L	L2	SW
K0266.2108	square socket	without transverse hole	80	24	-	85,7	49	28,5	13	-	104	12,7	8
K0266.2110	square socket	without transverse hole	80	24	-	85,7	49	28,5	13	-	104	12,7	10
K0266.2210	square socket	without transverse hole	100	29	-	105,2	59,5	35,5	13	-	129	15,7	10
K0266.2212	square socket	without transverse hole	100	29	-	105,2	59,5	35,5	13	-	129	15,7	12
K0266.2312	square socket	without transverse hole	125	36	-	140	83	44	18,5	-	161	19,5	12
K0266.2314	square socket	without transverse hole	125	36	-	140	83	44	18,5	-	161	19,5	14

Crank handles with fold-away grip, with square socket

Overview of items

Order No.	Version 1	Version 2	A	D	D7	H	H1	H2	H3	H4	L	L2	SW
K0266.21086	square socket	with transverse bore	80	24	M6	85,7	49	28,5	13	7,5	104	12,7	8
K0266.21106	square socket	with transverse bore	80	24	M6	85,7	49	28,5	13	7,5	104	12,7	10
K0266.22106	square socket	with transverse bore	100	29	M6	105,2	59,5	35,5	13	7,5	129	15,7	10
K0266.22126	square socket	with transverse bore	100	29	M6	105,2	59,5	35,5	13	7,5	129	15,7	12
K0266.23126	square socket	with transverse bore	125	36	M6	140	83	44	18,5	7,5	161	19,5	12
K0266.23146	square socket	with transverse bore	125	36	M6	140	83	44	18,5	7,5	161	19,5	14