

Crank handles with fold-away grip, with keyway

Item description/product images



Description

Material:

Crank thermoplastic.
Cylinder grip thermoplastic and steel.

Version:

Black grey thermoplastic.
Steel parts black oxidised.

Note:

The hub cover is supplied unassembled.
The crank handles can be secured to the shaft by cross-pinning or by parallel key together with a DIN 6912 socket head screw and DIN 7349 washer.
Versions with transverse bore are secured using the ISO 4027 (DIN 914) grub screw.

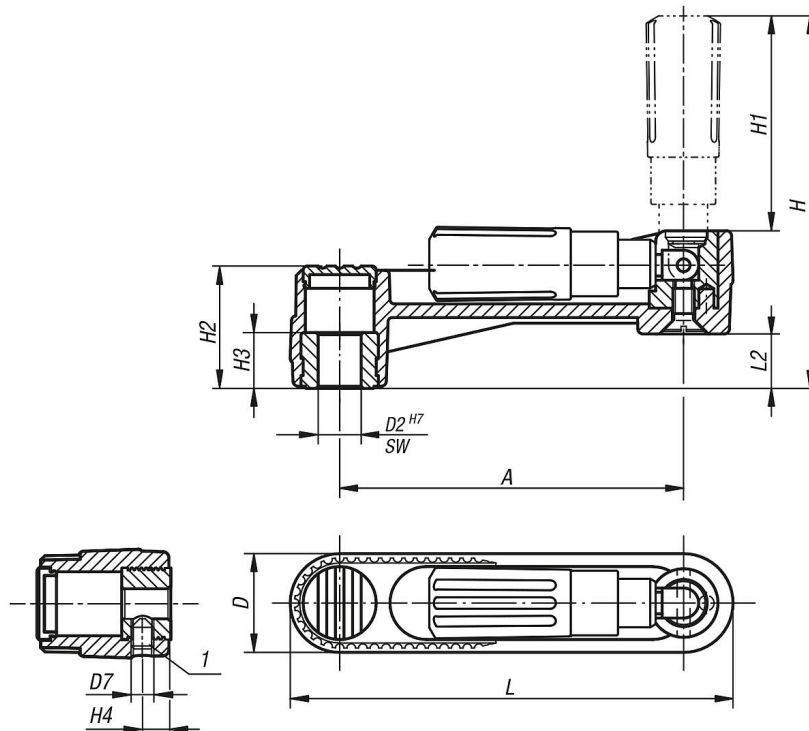
Accessory:

K1160 cap screws screws, low head DIN 6912.

Drawing reference:

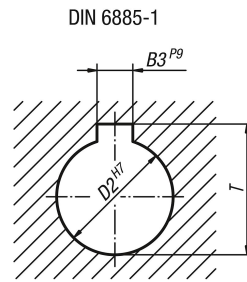
1) Position of the transverse bore to the keyway is offset by 90°.

Drawings



Crank handles with fold-away grip, with keyway

Drawings



Overview of items

| Order No. | Version 1 | Version 2 | A | B3 | D | D2 | D7 | H | H1 | H2 | H3 | H4 | L | L2 | T |
|----------------------|-----------------------|-------------------------|-----|----|----|----|----|-------|------|------|------|-----|-----|------|------|
| K0266.110802 | reamed hole with slot | without transverse hole | 80 | 2 | 24 | 8 | - | 85,7 | 49 | 28,5 | 13 | - | 104 | 12,7 | 9 |
| K0266.111003 | reamed hole with slot | without transverse hole | 80 | 3 | 24 | 10 | - | 85,7 | 49 | 28,5 | 13 | - | 104 | 12,7 | 11,4 |
| K0266.121003 | reamed hole with slot | without transverse hole | 100 | 3 | 29 | 10 | - | 105,2 | 59,5 | 35,5 | 13 | - | 129 | 15,7 | 11,4 |
| K0266.121204 | reamed hole with slot | without transverse hole | 100 | 4 | 29 | 12 | - | 105,2 | 59,5 | 35,5 | 13 | - | 129 | 15,7 | 13,8 |
| K0266.131204 | reamed hole with slot | without transverse hole | 125 | 4 | 36 | 12 | - | 140 | 83 | 44 | 18,5 | - | 161 | 19,5 | 13,8 |
| K0266.131405 | reamed hole with slot | without transverse hole | 125 | 5 | 36 | 14 | - | 140 | 83 | 44 | 18,5 | - | 161 | 19,5 | 16,3 |
| K0266.1108026 | reamed hole with slot | with transverse bore | 80 | 2 | 24 | 8 | M6 | 85,7 | 49 | 28,5 | 13 | 7,5 | 104 | 12,7 | 9 |
| K0266.1110036 | reamed hole with slot | with transverse bore | 80 | 3 | 24 | 10 | M6 | 85,7 | 49 | 28,5 | 13 | 7,5 | 104 | 12,7 | 11,4 |
| K0266.1210036 | reamed hole with slot | with transverse bore | 100 | 3 | 29 | 10 | M6 | 105,2 | 59,5 | 35,5 | 13 | 7,5 | 129 | 15,7 | 11,4 |
| K0266.1212046 | reamed hole with slot | with transverse bore | 100 | 4 | 29 | 12 | M6 | 105,2 | 59,5 | 35,5 | 13 | 7,5 | 129 | 15,7 | 13,8 |
| K0266.1312046 | reamed hole with slot | with transverse bore | 125 | 4 | 36 | 12 | M6 | 140 | 83 | 44 | 18,5 | 7,5 | 161 | 19,5 | 13,8 |
| K0266.1314056 | reamed hole with slot | with transverse bore | 125 | 5 | 36 | 14 | M6 | 140 | 83 | 44 | 18,5 | 7,5 | 161 | 19,5 | 16,3 |