

Crank handles with fold-away grip, without keyway

Item description/product images



Description

Material:

Crank thermoplastic.
Cylinder grip thermoplastic and steel.

Version:

Black grey thermoplastic.
Steel parts black oxidised.

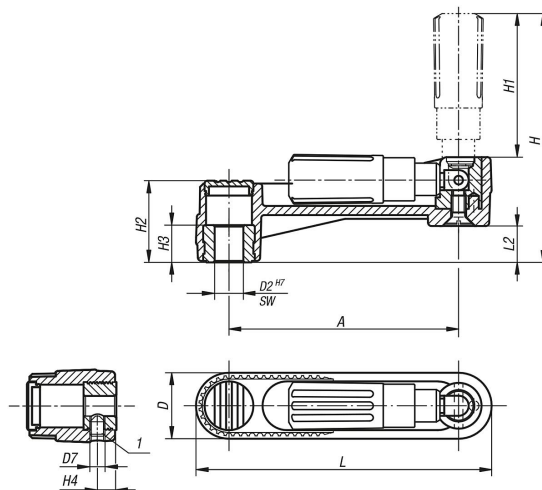
Note:

The hub cover is supplied unassembled.
Versions with transverse bore are secured using the ISO 4027 (DIN 914) grub screw.

Drawing reference:

1) Position of the transverse bore to the keyway is offset by 90°.

Drawings



Overview of items

Crank handles with fold-down grip

Order No.	Version 1	Version 2	A	D	D2	D7	H	H1	H2	H3	H4	L	L2
K0266.1108	reamed hole	without transverse hole	80	24	8	-	85,7	49	28,5	13	-	104	12,7
K0266.1110	reamed hole	without transverse hole	80	24	10	-	85,7	49	28,5	13	-	104	12,7
K0266.1210	reamed hole	without transverse hole	100	29	10	-	105,2	49	35,5	13	-	129	15,7
K0266.1212	reamed hole	without transverse hole	100	29	12	-	105,2	59,5	35,5	13	-	129	15,7
K0266.1312	reamed hole	without transverse hole	125	36	12	-	140	83	44	18,5	-	161	19,5
K0266.1314	reamed hole	without transverse hole	125	36	14	-	140	83	44	18,5	-	161	19,5
K0266.11086	reamed hole	with transverse bore	80	24	8	M6	85,7	49	28,5	13	7,5	104	12,7
K0266.11106	reamed hole	with transverse bore	80	24	10	M6	85,7	49	28,5	13	7,5	104	12,7
K0266.12106	reamed hole	with transverse bore	100	29	10	M6	105,2	59,5	35,5	13	7,5	129	15,7
K0266.12126	reamed hole	with transverse bore	100	29	12	M6	105,2	59,5	35,5	13	7,5	129	15,7
K0266.13126	reamed hole	with transverse bore	125	36	12	M6	140	83	44	18,5	7,5	161	19,5
K0266.13146	reamed hole	with transverse bore	125	36	14	M6	140	83	44	18,5	7,5	161	19,5

Crank handles with fold-away grip, without keyway

Overview of items
