

# Crank handles with cylindrical revolving grip, with square socket

## Item description/product images



## Description

### Material:

Crank thermoplastic.  
Cylinder grip thermoplastic and steel.

### Version:

Black grey thermoplastic.  
Steel parts black oxidised.

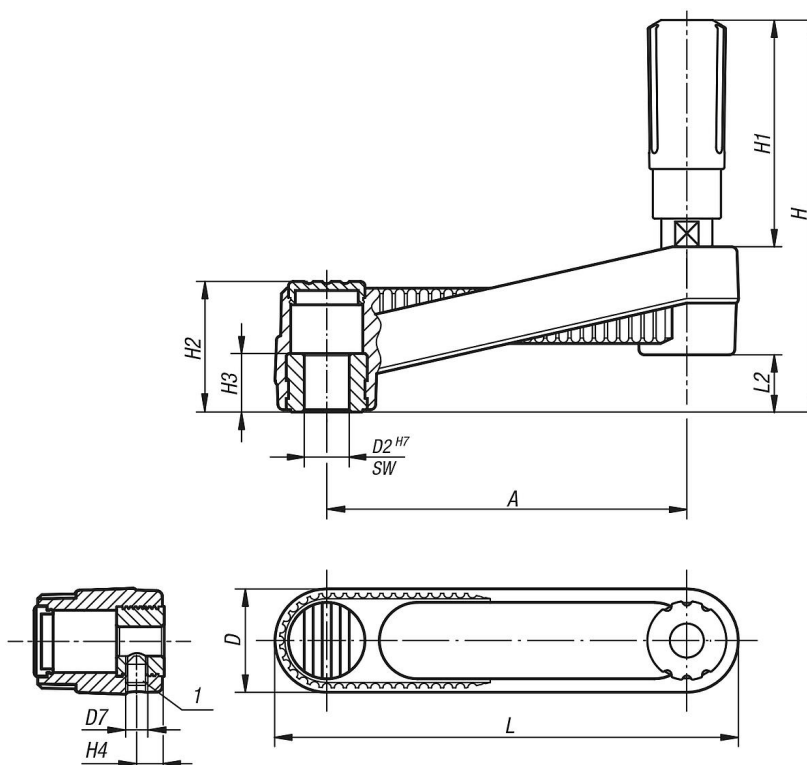
### Note:

The hub cover and the revolving cylinder grip are supplied unassembled.  
To assemble, screw the grip into the tapped hole provided.  
Versions with transverse bore are secured using the ISO 4027 (DIN 914) grub screw.

### Drawing reference:

1) Position of the transverse bore to the keyway is offset by 90°.

## Drawings



## Overview of items

Order No.	Version 1	Version 2	A	D	D7	H	H1	H2	H3	H4	L	L2	SW
K0659.4108	square socket	without transverse hole	80	24	-	85,8	49,1	28,5	13	-	104	12,7	8
K0659.4110	square socket	without transverse hole	80	24	-	85,8	49,1	28,5	13	-	104	12,7	10
K0659.4210	square socket	without transverse hole	100	29	-	107,1	61,4	35,5	13	-	129	15,7	10
K0659.4212	square socket	without transverse hole	100	29	-	107,1	61,4	35,5	13	-	129	15,7	12
K0659.4312	square socket	without transverse hole	125	36	-	139,5	82,5	44	18,5	-	161	19,5	12
K0659.4314	square socket	without transverse hole	125	36	-	139,5	82,5	44	18,5	-	161	19,5	14

## Crank handles with cylindrical revolving grip, with square socket

### Overview of items

Order No.	Version 1	Version 2	A	D	D7	H	H1	H2	H3	H4	L	L2	SW
<b>K0659.41086</b>	square socket	with transverse bore	80	24	M6	85,8	49,1	28,5	13	7,5	104	12,7	8
<b>K0659.41106</b>	square socket	with transverse bore	80	24	M6	85,8	49,1	28,5	13	7,5	104	12,7	10
<b>K0659.42106</b>	square socket	with transverse bore	100	29	M6	107,1	61,4	35,5	13	7,5	129	15,7	10
<b>K0659.42126</b>	square socket	with transverse bore	100	29	M6	107,1	61,4	35,5	13	7,5	129	15,7	12
<b>K0659.43126</b>	square socket	with transverse bore	125	36	M6	139,5	82,5	44	18,5	7,5	161	19,5	12
<b>K0659.43146</b>	square socket	with transverse bore	125	36	M6	139,5	82,5	44	18,5	7,5	161	19,5	14