

Crank handles with cylindrical revolving grip, locating hole with slot

Item description/product images



Description

Material:

Crank thermoplastic.

Cylinder grip thermoplastic and steel.

Version:

Black grey thermoplastic.

Steel parts black oxidised.

Note:

The hub cover and the revolving cylinder grip are supplied unassembled.

To assemble, screw the grip into the tapped hole provided.

The crank handles can be secured to the shaft by cross-pinning or by parallel key together with a DIN 6912 cap screw and DIN 7349 washer.

Versions with transverse bore are secured using the ISO 4027 (DIN 914) grub screw.

Accessory:

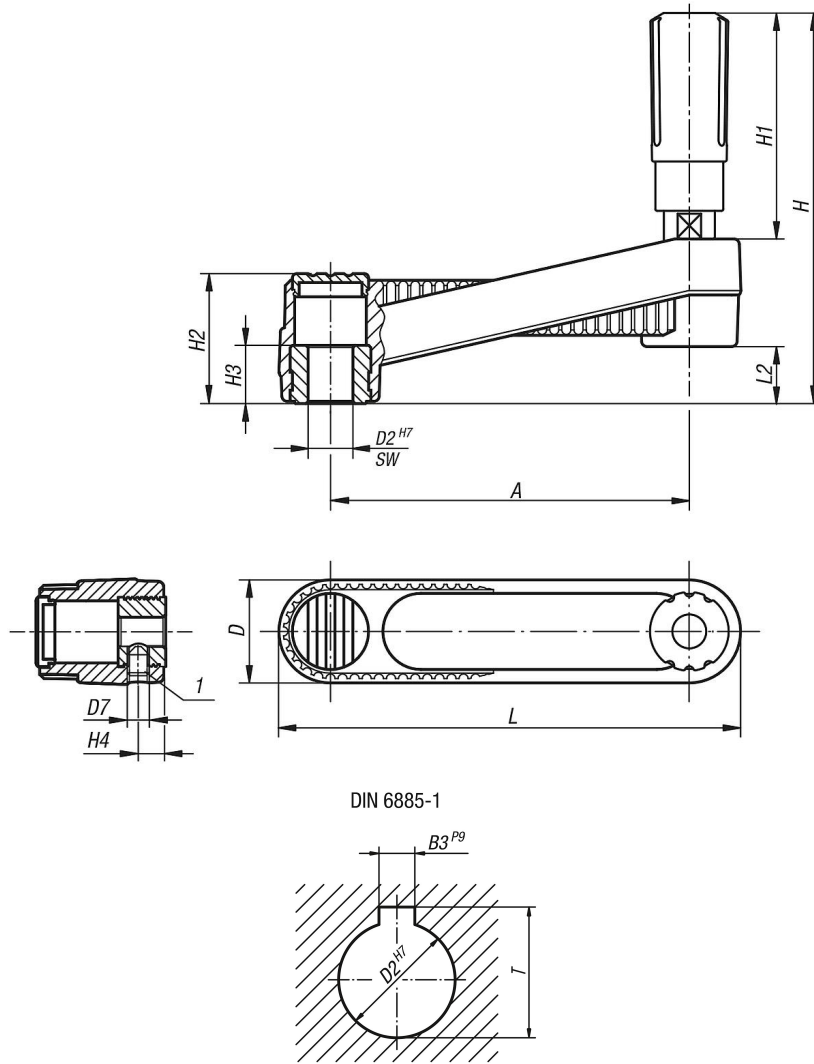
K1160 cap screws screws, low head DIN 6912.

Drawing reference:

1) Position of the transverse bore to the keyway is offset by 90°.

Crank handles with cylindrical revolving grip, locating hole with slot

Drawings



Overview of items

Order No.	Version 1	Version 2	A	B3	D	D2	D7	H	H1	H2	H3	H4	L	L2	T
K0659.310802	reamed hole with slot	without transverse hole	80	2	24	8	-	85,8	49,1	28,5	13	-	104	12,7	9
K0659.311003	reamed hole with slot	without transverse hole	80	3	24	10	-	85,8	49,1	28,5	13	-	104	12,7	11,4
K0659.321003	reamed hole with slot	without transverse hole	100	3	29	10	-	107,1	61,4	35,5	13	-	129	15,7	11,4
K0659.321204	reamed hole with slot	without transverse hole	100	4	29	12	-	107,1	61,4	35,5	13	-	129	15,7	13,8
K0659.331204	reamed hole with slot	without transverse hole	125	4	36	12	-	139,5	82,5	44	18,5	-	161	19,5	13,8
K0659.331405	reamed hole with slot	without transverse hole	125	5	36	14	-	139,5	82,5	44	18,5	-	161	19,5	16,3
K0659.3212046	reamed hole with slot	with transverse bore	100	4	29	12	M6	107,1	61,4	35,5	13	7,5	129	15,7	13,8
K0659.3210036	reamed hole with slot	with transverse bore	100	3	29	10	M6	107,1	61,4	35,5	13	7,5	129	15,7	11,4
K0659.3312046	reamed hole with slot	with transverse bore	125	4	36	12	M6	139,5	82,5	44	18,5	7,5	161	19,5	13,8
K0659.3314056	reamed hole with slot	with transverse bore	125	5	36	14	M6	139,5	82,5	44	18,5	7,5	161	19,5	16,3
K0659.3108026	reamed hole with slot	with transverse bore	80	2	24	8	M6	85,8	49,1	28,5	13	7,5	104	12,7	9
K0659.3110036	reamed hole with slot	with transverse bore	80	3	24	10	M6	85,8	49,1	28,5	13	7,5	104	12,7	11,4

