

Crank handles with safety grip

Item description/product images



Description

Material:

Crank thermoplastic.

Cylinder grip thermoplastic and steel.

Version:

Black grey thermoplastic.

Steel parts black oxidised.

Note:

The hub cover is supplied unassembled. The crank handles can be secured to the shaft by cross-pinning or by parallel key together with a DIN 6912 cap screw and DIN 7349 washer. Two actions must be made to bring the safety cylinder grip into an operating position:

- Swing the grip out around the pivot shaft until it stops (90°).
- Push the grip in an axial direction into the lock position.

The pushed-in position is the most comfortable for cranking. The grip swings back automatically after releasing.

Versions with transverse bore are secured using the ISO 4027 (DIN 914) grub screw.

Accessory:

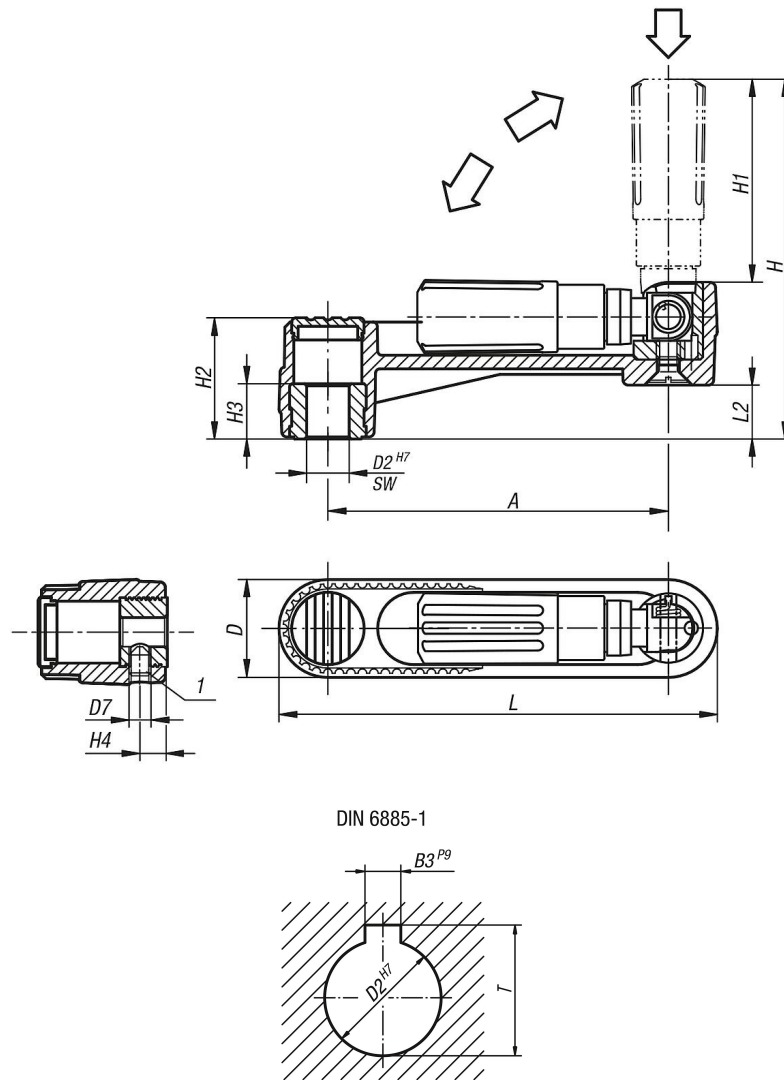
K1160 cap screws screws, low head DIN 6912.

Drawing reference:

- 1) Position of the transverse bore to the keyway is offset by 90°.

Crank handles with safety grip

Drawings



Overview of items

Crank handles with safety grip

Order No.	Version 1	Version 2	A	D	D2	D7	H	H1	H2	H3	H4	L	L2
K0268.1108	reamed hole	without transverse hole	80	24	8	-	84,2	47,5	28,5	13	-	104	12,7
K0268.1110	reamed hole	without transverse hole	80	24	10	-	84,2	47,5	28,5	13	-	104	12,7
K0268.1210	reamed hole	without transverse hole	100	29	10	-	104,2	58,5	35,5	13	-	129	15,7
K0268.1212	reamed hole	without transverse hole	100	29	12	-	104,2	58,5	35,5	13	-	129	15,7
K0268.1312	reamed hole	without transverse hole	125	36	12	-	139	82	44	18,5	-	161	19,5
K0268.1314	reamed hole	without transverse hole	125	36	14	-	139	82	44	18,5	-	161	19,5
K0268.11086	reamed hole	with transverse bore	80	24	8	M6	84,2	47,5	28,5	13	7,5	104	12,7
K0268.11106	reamed hole	with transverse bore	80	24	10	M6	84,2	47,5	28,5	13	7,5	104	12,7
K0268.12106	reamed hole	with transverse bore	100	29	10	M6	104,2	58,5	35,5	13	7,5	129	15,7
K0268.12126	reamed hole	with transverse bore	100	29	12	M6	104,2	58,5	35,5	13	7,5	129	15,7
K0268.13126	reamed hole	with transverse bore	125	36	12	M6	139	82	44	18,5	7,5	161	19,5
K0268.13146	reamed hole	with transverse bore	125	36	14	M6	139	82	44	18,5	7,5	161	19,5

Order No.	Version 1	Version 2	A	B3	D	D2	D7	H	H1	H2	H3	H4	L	L2	T
K0268.110802	reamed hole with slot	without transverse hole	80	2	24	8	-	84,2	47,5	28,5	13	-	104	12,7	9

Crank handles with safety grip

Overview of items

Order No.	Version 1	Version 2	A	B3	D	D2	D7	H	H1	H2	H3	H4	L	L2	T
K0268.111003	reamed hole with slot	without transverse hole	80	3	24	10	-	84,2	47,5	28,5	13	-	104	12,7	11,4
K0268.121003	reamed hole with slot	without transverse hole	100	3	29	10	-	104,2	58,5	35,5	13	-	129	15,7	11,4
K0268.121204	reamed hole with slot	without transverse hole	100	4	29	12	-	104,2	58,5	35,5	13	-	129	15,7	13,8
K0268.131204	reamed hole with slot	without transverse hole	125	4	36	12	-	139	82	44	18,5	-	161	19,5	13,8
K0268.131405	reamed hole with slot	without transverse hole	125	5	36	14	-	139	82	44	18,5	-	161	19,5	16,3
K0268.1108026	reamed hole with slot	with transverse bore	80	2	24	8	M6	84,2	47,5	28,5	13	7,5	104	12,7	9
K0268.1110036	reamed hole with slot	with transverse bore	80	3	24	10	M6	84,2	47,5	28,5	13	7,5	104	12,7	11,4
K0268.1210036	reamed hole with slot	with transverse bore	100	3	29	10	M6	104,2	58,5	35,5	13	7,5	129	15,7	11,4
K0268.1212046	reamed hole with slot	with transverse bore	100	4	29	12	M6	104,2	58,5	35,5	13	7,5	129	15,7	13,8
K0268.1312046	reamed hole with slot	with transverse bore	125	4	36	12	M6	139	82	44	18,5	7,5	161	19,5	13,8
K0268.1314056	reamed hole with slot	with transverse bore	125	5	36	14	M6	139	82	44	18,5	7,5	161	19,5	16,3

Order No.	Version 1	Version 2	A	D	D7	H	H1	H2	H3	H4	L	L2	SW
K0268.2108	square socket	without transverse hole	80	24	-	84,2	47,5	28,5	13	-	104	12,7	8
K0268.2110	square socket	without transverse hole	80	24	-	84,2	47,5	28,5	13	-	104	12,7	10
K0268.2210	square socket	without transverse hole	100	29	-	104,2	58,5	35,5	13	-	129	15,7	10
K0268.2212	square socket	without transverse hole	100	29	-	104,2	58,5	35,5	13	-	129	15,7	12
K0268.2312	square socket	without transverse hole	125	36	-	139	82	44	18,5	-	161	19,5	12
K0268.2314	square socket	without transverse hole	125	36	-	139	82	44	18,5	-	161	19,5	14
K0268.21086	square socket	with transverse bore	80	24	M6	84,2	47,5	28,5	13	7,5	104	12,7	8
K0268.21106	square socket	with transverse bore	80	24	M6	84,2	47,5	28,5	13	7,5	104	12,7	10
K0268.22106	square socket	with transverse bore	100	29	M6	104,2	58,5	35,5	13	7,5	129	15,7	10
K0268.22126	square socket	with transverse bore	100	29	M6	104,2	58,5	35,5	13	7,5	129	15,7	12
K0268.23126	square socket	with transverse bore	125	36	M6	139	82	44	18,5	7,5	161	19,5	12
K0268.23146	square socket	with transverse bore	125	36	M6	139	82	44	18,5	7,5	161	19,5	14