

Crank handles with safety grip, with square socket

Item description/product images



Description

Material:

Crank thermoplastic.

Cylinder grip thermoplastic and steel.

Version:

Black grey thermoplastic.

Steel parts black oxidised.

Note:

The hub cover is supplied unassembled. Two actions must be made to bring the safety cylinder grip into an operating position:

- Swing the grip out around the pivot shaft until it stops (90°).
- Push the grip in an axial direction into the lock position. The pushed-in position is the most comfortable for cranking. The grip swings back automatically after releasing.

Versions with transverse bore are secured using the ISO 4027 (DIN 914) grub screw.

Accessory:

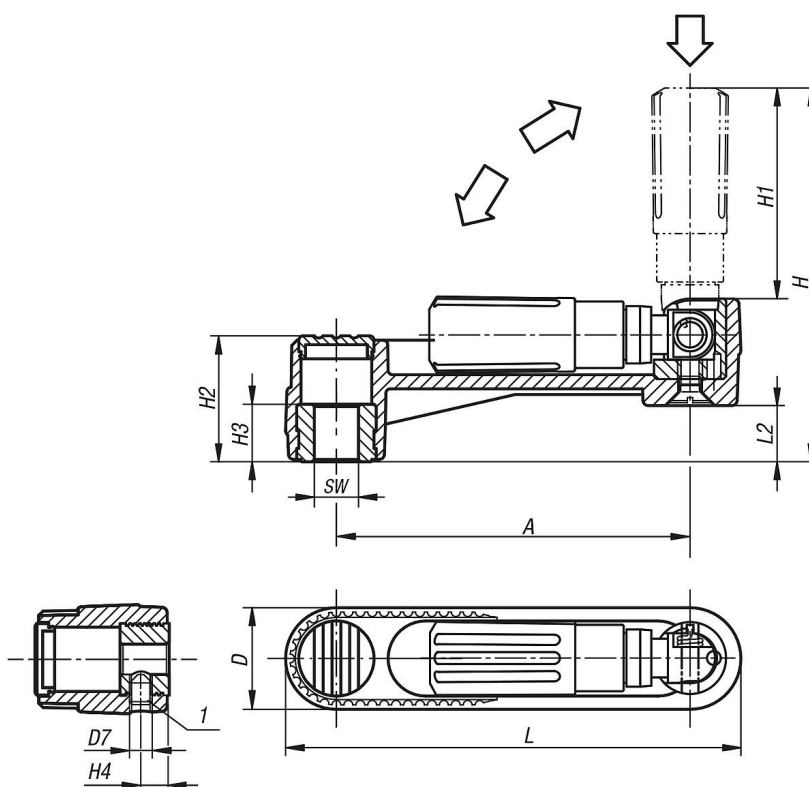
K1160 cap screws screws, low head DIN 6912.

Drawing reference:

- 1) Position of the transverse bore to the keyway is offset by 90°.

Crank handles with safety grip, with square socket

Drawings



Overview of items

Order No.	Version 1	Version 2	A	D	D7	H	H1	H2	H3	H4	L	L2	SW
K0268.2108	square socket	without transverse hole	80	24	-	84,2	47,5	28,5	13	-	104	12,7	8
K0268.2110	square socket	without transverse hole	80	24	-	84,2	47,5	28,5	13	-	104	12,7	10
K0268.2210	square socket	without transverse hole	100	29	-	104,2	58,5	35,5	13	-	129	15,7	10
K0268.2212	square socket	without transverse hole	100	29	-	104,2	58,5	35,5	13	-	129	15,7	12
K0268.2312	square socket	without transverse hole	125	36	-	139	82	44	18,5	-	161	19,5	12
K0268.2314	square socket	without transverse hole	125	36	-	139	82	44	18,5	-	161	19,5	14
K0268.21086	square socket	with transverse bore	80	24	M6	84,2	47,5	28,5	13	7,5	104	12,7	8
K0268.21106	square socket	with transverse bore	80	24	M6	84,2	47,5	28,5	13	7,5	104	12,7	10
K0268.22106	square socket	with transverse bore	100	29	M6	104,2	58,5	35,5	13	7,5	129	15,7	10
K0268.22126	square socket	with transverse bore	100	29	M6	104,2	58,5	35,5	13	7,5	129	15,7	12
K0268.23126	square socket	with transverse bore	125	36	M6	139	82	44	18,5	7,5	161	19,5	12
K0268.23146	square socket	with transverse bore	125	36	M6	139	82	44	18,5	7,5	161	19,5	14