

Plastic safety cylinder grips, auto-return

Item description/product images



Description

Product description:

Cylindrical grips are supplied assembled and can be screwed onto handwheels, crank handles, etc.

The grooves and conical shape ensure that the cylindrical grips have optimised haptics and good grip.

The auto-return mechanism prevents protruding edges, which also minimises the risk of injury.

Material:

Grip, thermoplastic.

Centre pin, steel.

Version:

Grip, black.

Steel parts, black oxidised.

Note:

Two actions must be made to bring the safety cylinder grip into an operating position:

- Swing the grip out around the pivot shaft until it stops (90°).
- Push the grip in an axial direction into the lock position.

The grip swivels back automatically after releasing.

The hole D3 is used as a location hole.

Advantages:

Optimised haptics and good grip

Grips for handwheels and cranks

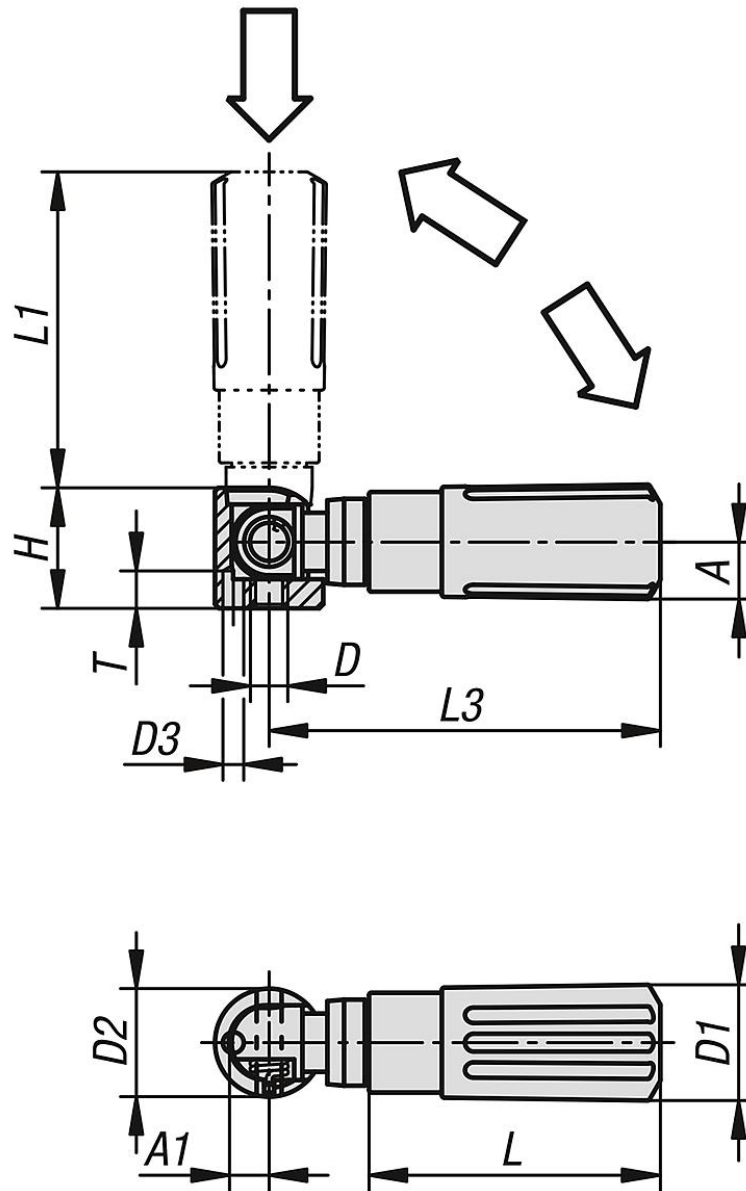
Self-righting after release

Various thread sizes

NOVO grip KIPP design

Plastic safety cylinder grips, auto-return

Drawings



Overview of items

Safety cylindrical grips, plastic auto-return

Order No.	Size	A	A1	D	D1	D2	D3	H	L	L1	L3	T
K1470.104	1	8	4,3	M4	14	13	2,5	14,5	35	38	47	4,5
K1470.205	2	10	5,3	M5	16	16	3,5	18	44	47,5	58	4,5
K1470.306	3	12,5	6,5	M6	20	20	4,5	22,5	55	58,5	71,5	6
K1470.408	4	16	9	M8	25	26	5,5	29	70	82	98	6,5

