

## Hollow shaft sensors with magnetic scanning

### Item description/product images



### Description

#### Material:

Shaft stainless-steel.  
Housing plastic.  
Cable sheath PVC.

#### Version:

Housing black.  
Flat connector, 8-pole, 1x pin.  
Cable bend radius, > 17 mm (fixed).

#### Note:

For speeds  $\leq 600$  rpm.  
Simple assembly for hollow shafts up to max. 20 mm.  
Plug-in connection to position indicators K1905 and K1906.  
The sensor is supplied with operating voltage and draws current via the electronics.  
The resolution and measuring range are dependent on the electronics.

#### Technical data:

- Rotative sensor
- Magnetic scanning via a magnet wheel with 18 poles each 5 mm
- Rating IP 65; EN60529

#### Temperature range:

- Ambient temperature 0–60°C
- Storage temperature -10–70°C

#### Assembly:

Installation must be carried out according to the enclosed user information.

#### Accessory:

Position indicators K1905 and K1906.  
Reducer sleeves K1927.

#### Note:

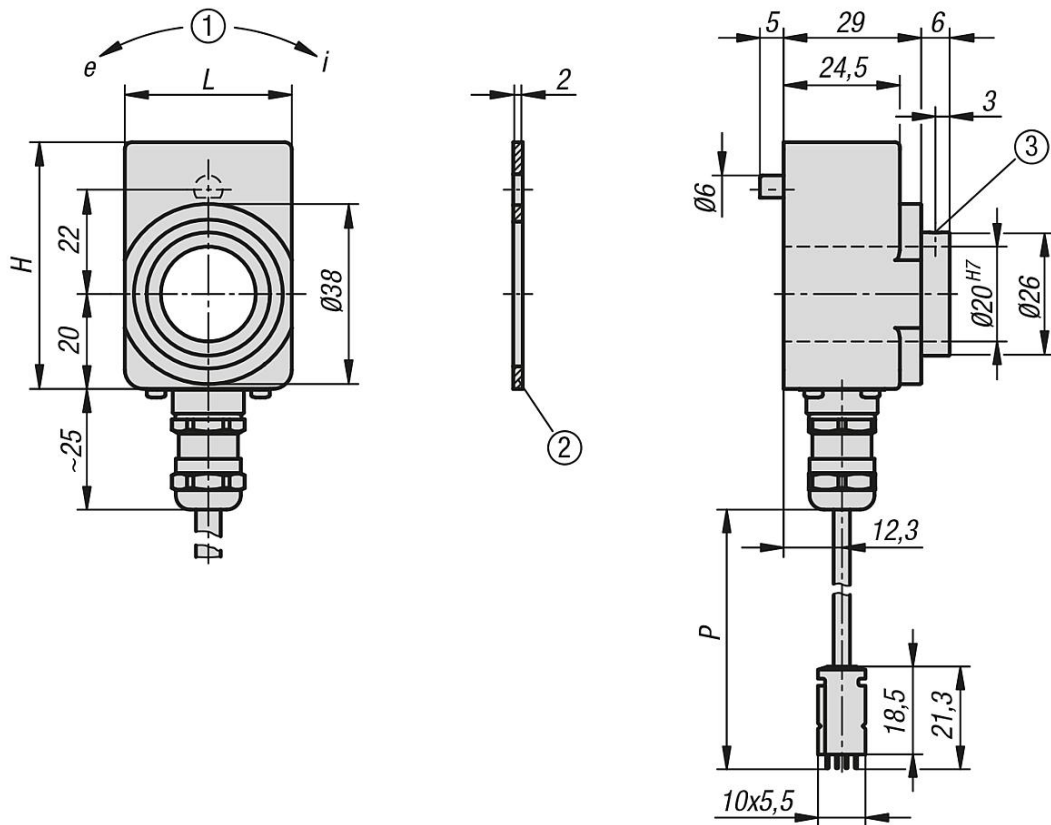
Dewing is not permissible.

#### Drawing reference:

- 1) Direction of rotation
- 2) Sealing plate
- 3) Grub screw, M3 (2x120 )

## Hollow shaft sensors with magnetic scanning

### Drawings



### Overview of items

#### Hollow shaft sensors with magnetic scanning

Order No.	H	L	P
K1926.0500	52	35,2	500
K1926.1000	52	35,2	1000
K1926.2000	52	35,2	2000