

# Screws with countersunk head hexagon socket DIN EN ISO 10642

## Item description/product images



### Description

#### Material:

Steel, stainless steel A2 or stainless steel A4.

#### Version:

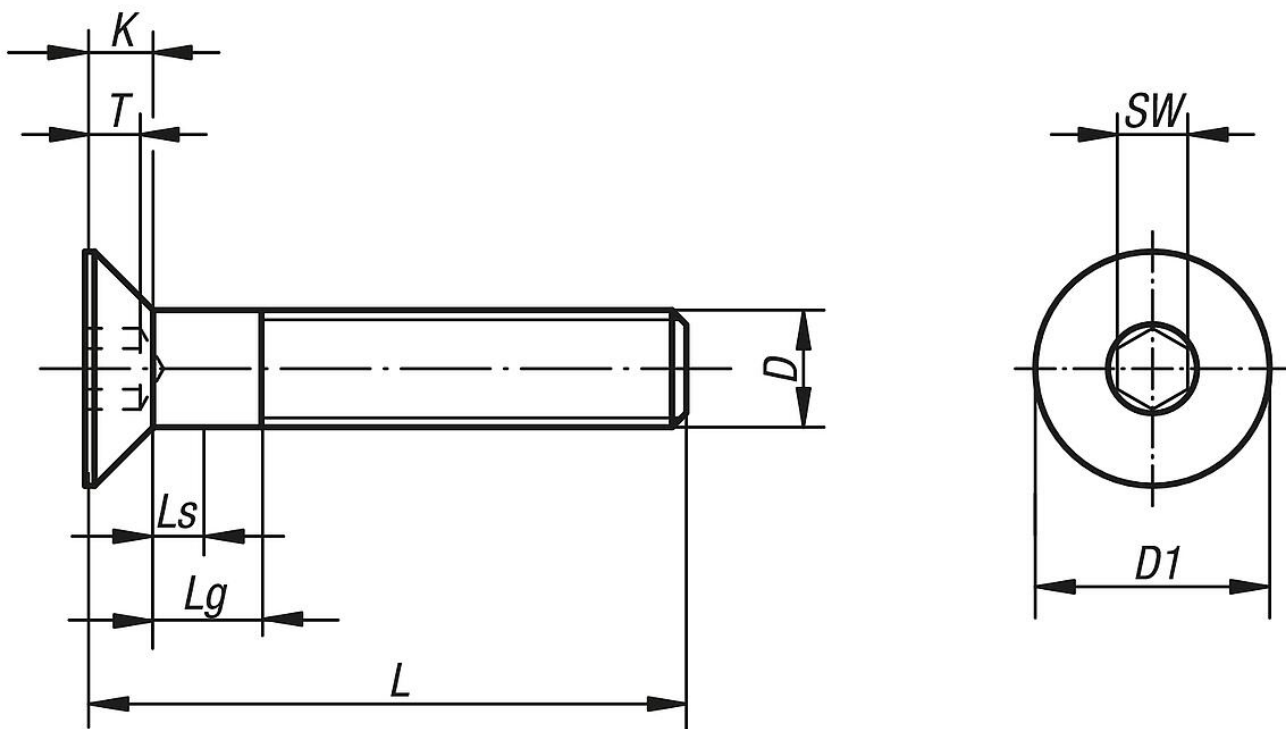
Steel grade 8.8, bright (black) or electro zinc-plated.

Steel grade 10.9, bright (black).

Stainless steel A2-70, bright.

Stainless steel A4-70, bright.

## Drawings



## Overview of items

### Screws with countersunk head, hexagon socket DIN EN ISO 10642

Order No.	Main material	Surface finish body	Grade	D	L	Ls min.	Lg max.	K	T	D1	SW
K0708.03X10	steel	bright (black)	8.8	M3	10	0	1	1,86	1,25	5,81	2
K0708.03X12	steel	bright (black)	8.8	M3	12	0	1	1,86	1,25	5,81	2
K0708.03X16	steel	bright (black)	8.8	M3	16	0	1	1,86	1,25	5,81	2
K0708.03X20	steel	bright (black)	8.8	M3	20	0	1	1,86	1,25	5,81	2
K0708.03X25	steel	bright (black)	8.8	M3	25	0	1	1,86	1,25	5,81	2
K0708.04X10	steel	bright (black)	8.8	M4	10	0	1,4	2,3	1,8	8	2,5
K0708.04X12	steel	bright (black)	8.8	M4	12	0	1,4	2,3	1,8	8	2,5
K0708.04X16	steel	bright (black)	8.8	M4	16	0	1,4	2,3	1,8	8	2,5
K0708.04X20	steel	bright (black)	8.8	M4	20	0	1,4	2,3	1,8	8	2,5
K0708.04X25	steel	bright (black)	8.8	M4	25	0	1,4	2,3	1,8	8	2,5
K0708.05X10	steel	bright (black)	8.8	M5	10	0	1,6	2,8	2,3	10	3
K0708.05X12	steel	bright (black)	8.8	M5	12	0	1,6	2,8	2,3	10	3

## Screws with countersunk head hexagon socket DIN EN ISO 10642

## Overview of items

Order No.	Main material	Surface finish body	Grade	D	L	Ls min.	Lg max.	K	T	D1	SW
K0708.05X16	steel	bright (black)	8.8	M5	16	0	1,6	2,8	2,3	10	3
K0708.05X20	steel	bright (black)	8.8	M5	20	0	1,6	2,8	2,3	10	3
K0708.05X25	steel	bright (black)	8.8	M5	25	0	1,6	2,8	2,3	10	3
K0708.05X30	steel	bright (black)	8.8	M5	30	0	1,6	2,8	2,3	10	3
K0708.06X10	steel	bright (black)	8.8	M6	10	0	2	3,3	2,5	12	4
K0708.06X12	steel	bright (black)	8.8	M6	12	0	2	3,3	2,5	12	4
K0708.06X16	steel	bright (black)	8.8	M6	16	0	2	3,3	2,5	12	4
K0708.06X20	steel	bright (black)	8.8	M6	20	0	2	3,3	2,5	12	4
K0708.06X25	steel	bright (black)	8.8	M6	25	0	2	3,3	2,5	12	4
K0708.06X30	steel	bright (black)	8.8	M6	30	0	2	3,3	2,5	12	4
K0708.06X35	steel	bright (black)	8.8	M6	35	0	2	3,3	2,5	12	4
K0708.06X40	steel	bright (black)	8.8	M6	40	11	16	3,3	2,5	12	4
K0708.06X45	steel	bright (black)	8.8	M6	45	16	21	3,3	2,5	12	4
K0708.06X50	steel	bright (black)	8.8	M6	50	21	26	3,3	2,5	12	4
K0708.06X60	steel	bright (black)	8.8	M6	60	31	36	3,3	2,5	12	4
K0708.08X16	steel	bright (black)	8.8	M8	16	0	2,5	4,4	3,5	16	5
K0708.08X20	steel	bright (black)	8.8	M8	20	0	2,5	4,4	3,5	16	5
K0708.08X25	steel	bright (black)	8.8	M8	25	0	2,5	4,4	3,5	16	5
K0708.08X30	steel	bright (black)	8.8	M8	30	0	2,5	4,4	3,5	16	5
K0708.08X35	steel	bright (black)	8.8	M8	35	0	2,5	4,4	3,5	16	5
K0708.08X40	steel	bright (black)	8.8	M8	40	0	2,5	4,4	3,5	16	5
K0708.08X45	steel	bright (black)	8.8	M8	45	0	2,5	4,4	3,5	16	5
K0708.08X50	steel	bright (black)	8.8	M8	50	15,75	22	4,4	3,5	16	5
K0708.08X60	steel	bright (black)	8.8	M8	60	25,75	32	4,4	3,5	16	5
K0708.10X16	steel	bright (black)	8.8	M10	16	0	3	5,5	4,4	20	6
K0708.10X20	steel	bright (black)	8.8	M10	20	0	3	5,5	4,4	20	6
K0708.10X25	steel	bright (black)	8.8	M10	25	0	3	5,5	4,4	20	6
K0708.10X30	steel	bright (black)	8.8	M10	30	0	3	5,5	4,4	20	6
K0708.10X35	steel	bright (black)	8.8	M10	35	0	3	5,5	4,4	20	6
K0708.10X40	steel	bright (black)	8.8	M10	40	0	3	5,5	4,4	20	6
K0708.10X45	steel	bright (black)	8.8	M10	45	0	3	5,5	4,4	20	6
K0708.10X50	steel	bright (black)	8.8	M10	50	0	3	5,5	4,4	20	6
K0708.10X60	steel	bright (black)	8.8	M10	60	20,5	28	5,5	4,4	20	6
K0708.10X70	steel	bright (black)	8.8	M10	70	30,5	38	5,5	4,4	20	6
K0708.12X20	steel	bright (black)	8.8	M12	20	0	3,5	6,5	4,6	24	8
K0708.12X25	steel	bright (black)	8.8	M12	25	0	3,5	6,5	4,6	24	8
K0708.12X30	steel	bright (black)	8.8	M12	30	0	3,5	6,5	4,6	24	8
K0708.12X35	steel	bright (black)	8.8	M12	35	0	3,5	6,5	4,6	24	8
K0708.12X40	steel	bright (black)	8.8	M12	40	0	3,5	6,5	4,6	24	8
K0708.12X45	steel	bright (black)	8.8	M12	45	0	3,5	6,5	4,6	24	8
K0708.12X50	steel	bright (black)	8.8	M12	50	0	3,5	6,5	4,6	24	8
K0708.12X60	steel	bright (black)	8.8	M12	60	0	3,5	6,5	4,6	24	8
K0708.12X70	steel	bright (black)	8.8	M12	70	25,25	34	6,5	4,6	24	8
K0708.12X80	steel	bright (black)	8.8	M12	80	35,25	44	6,5	4,6	24	8
K0708.16X30	steel	bright (black)	8.8	M16	30	0	4	7,5	5,3	30	10
K0708.16X35	steel	bright (black)	8.8	M16	35	0	4	7,5	5,3	30	10
K0708.16X40	steel	bright (black)	8.8	M16	40	0	4	7,5	5,3	30	10
K0708.16X45	steel	bright (black)	8.8	M16	45	0	4	7,5	5,3	30	10
K0708.16X50	steel	bright (black)	8.8	M16	50	0	4	7,5	5,3	30	10
K0708.16X60	steel	bright (black)	8.8	M16	60	0	4	7,5	5,3	30	10
K0708.16X70	steel	bright (black)	8.8	M16	70	0	4	7,5	5,3	30	10
K0708.16X80	steel	bright (black)	8.8	M16	80	22	32	7,5	5,3	30	10
K0708.403X10	steel	galvanised	8.8	M3	10	0	1	1,86	1,25	5,81	2
K0708.403X12	steel	galvanised	8.8	M3	12	0	1	1,86	1,25	5,81	2
K0708.403X16	steel	galvanised	8.8	M3	16	0	1	1,86	1,25	5,81	2
K0708.403X20	steel	galvanised	8.8	M3	20	0	1	1,86	1,25	5,81	2
K0708.403X25	steel	galvanised	8.8	M3	25	0	1	1,86	1,25	5,81	2
K0708.404X10	steel	galvanised	8.8	M4	10	0	1,4	2,3	1,8	8	2,5
K0708.404X12	steel	galvanised	8.8	M4	12	0	1,4	2,3	1,8	8	2,5
K0708.404X16	steel	galvanised	8.8	M4	16	0	1,4	2,3	1,8	8	2,5
K0708.404X20	steel	galvanised	8.8	M4	20	0	1,4	2,3	1,8	8	2,5
K0708.404X25	steel	galvanised	8.8	M4	25	0	1,4	2,3	1,8	8	2,5

## Screws with countersunk head hexagon socket DIN EN ISO 10642

## Overview of items

Order No.	Main material	Surface finish body	Grade	D	L	Ls min.	Lg max.	K	T	D1	SW
K0708.405X10	steel	galvanised	8.8	M5	10	0	1,6	2,8	2,3	10	3
K0708.405X12	steel	galvanised	8.8	M5	12	0	1,6	2,8	2,3	10	3
K0708.405X16	steel	galvanised	8.8	M5	16	0	1,6	2,8	2,3	10	3
K0708.405X20	steel	galvanised	8.8	M5	20	0	1,6	2,8	2,3	10	3
K0708.405X25	steel	galvanised	8.8	M5	25	0	1,6	2,8	2,3	10	3
K0708.405X30	steel	galvanised	8.8	M5	30	0	1,6	2,8	2,3	10	3
K0708.406X10	steel	galvanised	8.8	M6	10	0	2	3,3	2,5	12	4
K0708.406X12	steel	galvanised	8.8	M6	12	0	2	3,3	2,5	12	4
K0708.406X16	steel	galvanised	8.8	M6	16	0	2	3,3	2,5	12	4
K0708.406X20	steel	galvanised	8.8	M6	20	0	2	3,3	2,5	12	4
K0708.406X25	steel	galvanised	8.8	M6	25	0	2	3,3	2,5	12	4
K0708.406X30	steel	galvanised	8.8	M6	30	0	2	3,3	2,5	12	4
K0708.406X35	steel	galvanised	8.8	M6	35	0	2	3,3	2,5	12	4
K0708.406X40	steel	galvanised	8.8	M6	40	11	16	3,3	2,5	12	4
K0708.406X45	steel	galvanised	8.8	M6	45	16	21	3,3	2,5	12	4
K0708.406X50	steel	galvanised	8.8	M6	50	21	26	3,3	2,5	12	4
K0708.406X60	steel	galvanised	8.8	M6	60	31	36	3,3	2,5	12	4
K0708.408X16	steel	galvanised	8.8	M8	16	0	2,5	4,4	3,5	16	5
K0708.408X20	steel	galvanised	8.8	M8	20	0	2,5	4,4	3,5	16	5
K0708.408X25	steel	galvanised	8.8	M8	25	0	2,5	4,4	3,5	16	5
K0708.408X30	steel	galvanised	8.8	M8	30	0	2,5	4,4	3,5	16	5
K0708.408X35	steel	galvanised	8.8	M8	35	0	2,5	4,4	3,5	16	5
K0708.408X40	steel	galvanised	8.8	M8	40	0	2,5	4,4	3,5	16	5
K0708.408X45	steel	galvanised	8.8	M8	45	0	2,5	4,4	3,5	16	5
K0708.408X50	steel	galvanised	8.8	M8	50	15,75	22	4,4	3,5	16	5
K0708.408X60	steel	galvanised	8.8	M8	60	25,75	32	4,4	3,5	16	5
K0708.410X16	steel	galvanised	8.8	M10	16	0	3	5,5	4,4	20	6
K0708.410X20	steel	galvanised	8.8	M10	20	0	3	5,5	4,4	20	6
K0708.410X25	steel	galvanised	8.8	M10	25	0	3	5,5	4,4	20	6
K0708.410X30	steel	galvanised	8.8	M10	30	0	3	5,5	4,4	20	6
K0708.410X35	steel	galvanised	8.8	M10	35	0	3	5,5	4,4	20	6
K0708.410X40	steel	galvanised	8.8	M10	40	0	3	5,5	4,4	20	6
K0708.410X45	steel	galvanised	8.8	M10	45	0	3	5,5	4,4	20	6
K0708.410X50	steel	galvanised	8.8	M10	50	0	3	5,5	4,4	20	6
K0708.410X60	steel	galvanised	8.8	M10	60	20,5	28	5,5	4,4	20	6
K0708.410X70	steel	galvanised	8.8	M10	70	30,5	38	5,5	4,4	20	6
K0708.412X20	steel	galvanised	8.8	M12	20	0	3,5	6,5	4,6	24	8
K0708.412X25	steel	galvanised	8.8	M12	25	0	3,5	6,5	4,6	24	8
K0708.412X30	steel	galvanised	8.8	M12	30	0	3,5	6,5	4,6	24	8
K0708.412X35	steel	galvanised	8.8	M12	35	0	3,5	6,5	4,6	24	8
K0708.412X40	steel	galvanised	8.8	M12	40	0	3,5	6,5	4,6	24	8
K0708.412X45	steel	galvanised	8.8	M12	45	0	3,5	6,5	4,6	24	8
K0708.412X50	steel	galvanised	8.8	M12	50	0	3,5	6,5	4,6	24	8
K0708.412X60	steel	galvanised	8.8	M12	60	0	3,5	6,5	4,6	24	8
K0708.412X70	steel	galvanised	8.8	M12	70	25,25	34	6,5	4,6	24	8
K0708.412X80	steel	galvanised	8.8	M12	80	35,25	44	6,5	4,6	24	8
K0708.416X30	steel	galvanised	8.8	M16	30	0	4	7,5	5,3	30	10
K0708.416X35	steel	galvanised	8.8	M16	35	0	4	7,5	5,3	30	10
K0708.416X40	steel	galvanised	8.8	M16	40	0	4	7,5	5,3	30	10
K0708.416X45	steel	galvanised	8.8	M16	45	0	4	7,5	5,3	30	10
K0708.416X50	steel	galvanised	8.8	M16	50	0	4	7,5	5,3	30	10
K0708.416X60	steel	galvanised	8.8	M16	60	0	4	7,5	5,3	30	10
K0708.416X70	steel	galvanised	8.8	M16	70	0	4	7,5	5,3	30	10
K0708.416X80	steel	galvanised	8.8	M16	80	22	32	7,5	5,3	30	10
K0708.303X10	steel	bright (black)	10.9	M3	10	0	1	1,86	1,25	5,81	2
K0708.303X12	steel	bright (black)	10.9	M3	12	0	1	1,86	1,25	5,81	2
K0708.303X16	steel	bright (black)	10.9	M3	16	0	1	1,86	1,25	5,81	2
K0708.303X20	steel	bright (black)	10.9	M3	20	0	1	1,86	1,25	5,81	2
K0708.303X25	steel	bright (black)	10.9	M3	25	0	1	1,86	1,25	5,81	2
K0708.304X10	steel	bright (black)	10.9	M4	10	0	1,4	2,3	1,8	8	2,5
K0708.304X12	steel	bright (black)	10.9	M4	12	0	1,4	2,3	1,8	8	2,5
K0708.304X16	steel	bright (black)	10.9	M4	16	0	1,4	2,3	1,8	8	2,5

# Screws with countersunk head hexagon socket DIN EN ISO 10642

## Overview of items

Order No.	Main material	Surface finish body	Grade	D	L	Ls min.	Lg max.	K	T	D1	SW
K0708.304X20	steel	bright (black)	10.9	M4	20	0	1,4	2,3	1,8	8	2,5
K0708.304X25	steel	bright (black)	10.9	M4	25	0	1,4	2,3	1,8	8	2,5
K0708.305X10	steel	bright (black)	10.9	M5	10	0	1,6	2,8	2,3	10	3
K0708.305X12	steel	bright (black)	10.9	M5	12	0	1,6	2,8	2,3	10	3
K0708.305X16	steel	bright (black)	10.9	M5	16	0	1,6	2,8	2,3	10	3
K0708.305X20	steel	bright (black)	10.9	M5	20	0	1,6	2,8	2,3	10	3
K0708.305X25	steel	bright (black)	10.9	M5	25	0	1,6	2,8	2,3	10	3
K0708.305X30	steel	bright (black)	10.9	M5	30	0	1,6	2,8	2,3	10	3
K0708.306X10	steel	bright (black)	10.9	M6	10	0	2	3,3	2,5	12	4
K0708.306X12	steel	bright (black)	10.9	M6	12	0	2	3,3	2,5	12	4
K0708.306X16	steel	bright (black)	10.9	M6	16	0	2	3,3	2,5	12	4
K0708.306X20	steel	bright (black)	10.9	M6	20	0	2	3,3	2,5	12	4
K0708.306X25	steel	bright (black)	10.9	M6	25	0	2	3,3	2,5	12	4
K0708.306X30	steel	bright (black)	10.9	M6	30	0	2	3,3	2,5	12	4
K0708.306X35	steel	bright (black)	10.9	M6	35	0	2	3,3	2,5	12	4
K0708.306X40	steel	bright (black)	10.9	M6	40	11	16	3,3	2,5	12	4
K0708.306X45	steel	bright (black)	10.9	M6	45	16	21	3,3	2,5	12	4
K0708.306X50	steel	bright (black)	10.9	M6	50	21	26	3,3	2,5	12	4
K0708.306X60	steel	bright (black)	10.9	M6	60	31	36	3,3	2,5	12	4
K0708.308X16	steel	bright (black)	10.9	M8	16	0	2,5	4,4	3,5	16	5
K0708.308X20	steel	bright (black)	10.9	M8	20	0	2,5	4,4	3,5	16	5
K0708.308X25	steel	bright (black)	10.9	M8	25	0	2,5	4,4	3,5	16	5
K0708.308X30	steel	bright (black)	10.9	M8	30	0	2,5	4,4	3,5	16	5
K0708.308X35	steel	bright (black)	10.9	M8	35	0	2,5	4,4	3,5	16	5
K0708.308X40	steel	bright (black)	10.9	M8	40	0	2,5	4,4	3,5	16	5
K0708.308X45	steel	bright (black)	10.9	M8	45	0	2,5	4,4	3,5	16	5
K0708.308X50	steel	bright (black)	10.9	M8	50	15,75	22	4,4	3,5	16	5
K0708.308X60	steel	bright (black)	10.9	M8	60	25,75	32	4,4	3,5	16	5
K0708.310X16	steel	bright (black)	10.9	M10	16	0	3	5,5	4,4	20	6
K0708.310X20	steel	bright (black)	10.9	M10	20	0	3	5,5	4,4	20	6
K0708.310X25	steel	bright (black)	10.9	M10	25	0	3	5,5	4,4	20	6
K0708.310X30	steel	bright (black)	10.9	M10	30	0	3	5,5	4,4	20	6
K0708.310X35	steel	bright (black)	10.9	M10	35	0	3	5,5	4,4	20	6
K0708.310X40	steel	bright (black)	10.9	M10	40	0	3	5,5	4,4	20	6
K0708.310X45	steel	bright (black)	10.9	M10	45	0	3	5,5	4,4	20	6
K0708.310X50	steel	bright (black)	10.9	M10	50	0	3	5,5	4,4	20	6
K0708.310X60	steel	bright (black)	10.9	M10	60	20,5	28	5,5	4,4	20	6
K0708.310X70	steel	bright (black)	10.9	M10	70	30,5	38	5,5	4,4	20	6
K0708.312X20	steel	bright (black)	10.9	M12	20	0	3,5	6,5	4,6	24	8
K0708.312X25	steel	bright (black)	10.9	M12	25	0	3,5	6,5	4,6	24	8
K0708.312X30	steel	bright (black)	10.9	M12	30	0	3,5	6,5	4,6	24	8
K0708.312X35	steel	bright (black)	10.9	M12	35	0	3,5	6,5	4,6	24	8
K0708.312X40	steel	bright (black)	10.9	M12	40	0	3,5	6,5	4,6	24	8
K0708.312X45	steel	bright (black)	10.9	M12	45	0	3,5	6,5	4,6	24	8
K0708.312X50	steel	bright (black)	10.9	M12	50	0	3,5	6,5	4,6	24	8
K0708.312X60	steel	bright (black)	10.9	M12	60	0	3,5	6,5	4,6	24	8
K0708.312X70	steel	bright (black)	10.9	M12	70	25,25	34	6,5	4,6	24	8
K0708.312X80	steel	bright (black)	10.9	M12	80	35,25	44	6,5	4,6	24	8
K0708.316X30	steel	bright (black)	10.9	M16	30	0	4	7,5	5,3	30	10
K0708.316X35	steel	bright (black)	10.9	M16	35	0	4	7,5	5,3	30	10
K0708.316X40	steel	bright (black)	10.9	M16	40	0	4	7,5	5,3	30	10
K0708.316X45	steel	bright (black)	10.9	M16	45	0	4	7,5	5,3	30	10
K0708.316X50	steel	bright (black)	10.9	M16	50	0	4	7,5	5,3	30	10
K0708.316X60	steel	bright (black)	10.9	M16	60	0	4	7,5	5,3	30	10
K0708.316X70	steel	bright (black)	10.9	M16	70	0	4	7,5	5,3	30	10
K0708.316X80	steel	bright (black)	10.9	M16	80	22	32	7,5	5,3	30	10
K0708.103X10	stainless steel A2	bright	70	M3	10	0	1	1,86	1,25	5,81	2
K0708.103X12	stainless steel A2	bright	70	M3	12	0	1	1,86	1,25	5,81	2
K0708.103X16	stainless steel A2	bright	70	M3	16	0	1	1,86	1,25	5,81	2
K0708.103X20	stainless steel A2	bright	70	M3	20	0	1	1,86	1,25	5,81	2
K0708.103X25	stainless steel A2	bright	70	M3	25	0	1	1,86	1,25	5,81	2
K0708.104X10	stainless steel A2	bright	70	M4	10	0	1,4	2,3	1,8	8	2,5

## Screws with countersunk head hexagon socket DIN EN ISO 10642

## Overview of items

Order No.	Main material	Surface finish body	Grade	D	L	Ls min.	Lg max.	K	T	D1	SW
K0708.104X12	stainless steel A2	bright	70	M4	12	0	1,4	2,3	1,8	8	2,5
K0708.104X16	stainless steel A2	bright	70	M4	16	0	1,4	2,3	1,8	8	2,5
K0708.104X20	stainless steel A2	bright	70	M4	20	0	1,4	2,3	1,8	8	2,5
K0708.104X25	stainless steel A2	bright	70	M4	25	0	1,4	2,3	1,8	8	2,5
K0708.105X10	stainless steel A2	bright	70	M5	10	0	1,6	2,8	2,3	10	3
K0708.105X12	stainless steel A2	bright	70	M5	12	0	1,6	2,8	2,3	10	3
K0708.105X16	stainless steel A2	bright	70	M5	16	0	1,6	2,8	2,3	10	3
K0708.105X20	stainless steel A2	bright	70	M5	20	0	1,6	2,8	2,3	10	3
K0708.105X25	stainless steel A2	bright	70	M5	25	0	1,6	2,8	2,3	10	3
K0708.105X30	stainless steel A2	bright	70	M5	30	0	1,6	2,8	2,3	10	3
K0708.106X10	stainless steel A2	bright	70	M6	10	0	2	3,3	2,5	12	4
K0708.106X12	stainless steel A2	bright	70	M6	12	0	2	3,3	2,5	12	4
K0708.106X16	stainless steel A2	bright	70	M6	16	0	2	3,3	2,5	12	4
K0708.106X20	stainless steel A2	bright	70	M6	20	0	2	3,3	2,5	12	4
K0708.106X25	stainless steel A2	bright	70	M6	25	0	2	3,3	2,5	12	4
K0708.106X30	stainless steel A2	bright	70	M6	30	0	2	3,3	2,5	12	4
K0708.106X35	stainless steel A2	bright	70	M6	35	0	2	3,3	2,5	12	4
K0708.106X40	stainless steel A2	bright	70	M6	40	11	16	3,3	2,5	12	4
K0708.106X45	stainless steel A2	bright	70	M6	45	16	21	3,3	2,5	12	4
K0708.106X50	stainless steel A2	bright	70	M6	50	21	26	3,3	2,5	12	4
K0708.106X60	stainless steel A2	bright	70	M6	60	31	36	3,3	2,5	12	4
K0708.108X16	stainless steel A2	bright	70	M8	16	0	2,5	4,4	3,5	16	5
K0708.108X20	stainless steel A2	bright	70	M8	20	0	2,5	4,4	3,5	16	5
K0708.108X25	stainless steel A2	bright	70	M8	25	0	2,5	4,4	3,5	16	5
K0708.108X30	stainless steel A2	bright	70	M8	30	0	2,5	4,4	3,5	16	5
K0708.108X35	stainless steel A2	bright	70	M8	35	0	2,5	4,4	3,5	16	5
K0708.108X40	stainless steel A2	bright	70	M8	40	0	2,5	4,4	3,5	16	5
K0708.108X45	stainless steel A2	bright	70	M8	45	0	2,5	4,4	3,5	16	5
K0708.108X50	stainless steel A2	bright	70	M8	50	15,75	22	4,4	3,5	16	5
K0708.108X60	stainless steel A2	bright	70	M8	60	25,75	32	4,4	3,5	16	5
K0708.110X16	stainless steel A2	bright	70	M10	16	0	3	5,5	4,4	20	6
K0708.110X20	stainless steel A2	bright	70	M10	20	0	3	5,5	4,4	20	6
K0708.110X25	stainless steel A2	bright	70	M10	25	0	3	5,5	4,4	20	6
K0708.110X30	stainless steel A2	bright	70	M10	30	0	3	5,5	4,4	20	6
K0708.110X35	stainless steel A2	bright	70	M10	35	0	3	5,5	4,4	20	6
K0708.110X40	stainless steel A2	bright	70	M10	40	0	3	5,5	4,4	20	6
K0708.110X45	stainless steel A2	bright	70	M10	45	0	3	5,5	4,4	20	6
K0708.110X50	stainless steel A2	bright	70	M10	50	0	3	5,5	4,4	20	6
K0708.110X60	stainless steel A2	bright	70	M10	60	20,5	28	5,5	4,4	20	6
K0708.110X70	stainless steel A2	bright	70	M10	70	30,5	38	5,5	4,4	20	6
K0708.112X20	stainless steel A2	bright	70	M12	20	0	3,5	6,5	4,6	24	8
K0708.112X25	stainless steel A2	bright	70	M12	25	0	3,5	6,5	4,6	24	8
K0708.112X30	stainless steel A2	bright	70	M12	30	0	3,5	6,5	4,6	24	8
K0708.112X35	stainless steel A2	bright	70	M12	35	0	3,5	6,5	4,6	24	8
K0708.112X40	stainless steel A2	bright	70	M12	40	0	3,5	6,5	4,6	24	8
K0708.112X45	stainless steel A2	bright	70	M12	45	0	3,5	6,5	4,6	24	8
K0708.112X50	stainless steel A2	bright	70	M12	50	0	3,5	6,5	4,6	24	8
K0708.112X60	stainless steel A2	bright	70	M12	60	0	3,5	6,5	4,6	24	8
K0708.112X70	stainless steel A2	bright	70	M12	70	25,25	34	6,5	4,6	24	8
K0708.112X80	stainless steel A2	bright	70	M12	80	35,25	44	6,5	4,6	24	8
K0708.116X30	stainless steel A2	bright	70	M16	30	0	4	7,5	5,3	30	10
K0708.116X35	stainless steel A2	bright	70	M16	35	0	4	7,5	5,3	30	10
K0708.116X40	stainless steel A2	bright	70	M16	40	0	4	7,5	5,3	30	10
K0708.116X45	stainless steel A2	bright	70	M16	45	0	4	7,5	5,3	30	10
K0708.116X50	stainless steel A2	bright	70	M16	50	0	4	7,5	5,3	30	10
K0708.116X60	stainless steel A2	bright	70	M16	60	0	4	7,5	5,3	30	10
K0708.116X70	stainless steel A2	bright	70	M16	70	0	4	7,5	5,3	30	10
K0708.116X80	stainless steel A2	bright	70	M16	80	22	32	7,5	5,3	30	10
K0708.603X10	stainless steel A4	bright	70	M3	10	0	1	1,86	1,25	5,81	2
K0708.603X12	stainless steel A4	bright	70	M3	12	0	1	1,86	1,25	5,81	2
K0708.603X16	stainless steel A4	bright	70	M3	16	0	1	1,86	1,25	5,81	2
K0708.603X20	stainless steel A4	bright	70	M3	20	0	1	1,86	1,25	5,81	2

## Screws with countersunk head hexagon socket DIN EN ISO 10642

## Overview of items

Order No.	Main material	Surface finish body	Grade	D	L	Ls min.	Lg max.	K	T	D1	SW
K0708.603X25	stainless steel A4	bright	70	M3	25	0	1	1,86	1,25	5,81	2
K0708.604X10	stainless steel A4	bright	70	M4	10	0	1,4	2,3	1,8	8	2,5
K0708.604X12	stainless steel A4	bright	70	M4	12	0	1,4	2,3	1,8	8	2,5
K0708.604X16	stainless steel A4	bright	70	M4	16	0	1,4	2,3	1,8	8	2,5
K0708.604X20	stainless steel A4	bright	70	M4	20	0	1,4	2,3	1,8	8	2,5
K0708.604X25	stainless steel A4	bright	70	M4	25	0	1,4	2,3	1,8	8	2,5
K0708.605X10	stainless steel A4	bright	70	M5	10	0	1,6	2,8	2,3	10	3
K0708.605X12	stainless steel A4	bright	70	M5	12	0	1,6	2,8	2,3	10	3
K0708.605X16	stainless steel A4	bright	70	M5	16	0	1,6	2,8	2,3	10	3
K0708.605X20	stainless steel A4	bright	70	M5	20	0	1,6	2,8	2,3	10	3
K0708.605X25	stainless steel A4	bright	70	M5	25	0	1,6	2,8	2,3	10	3
K0708.605X30	stainless steel A4	bright	70	M5	30	0	1,6	2,8	2,3	10	3
K0708.606X10	stainless steel A4	bright	70	M6	10	0	2	3,3	2,5	12	4
K0708.606X12	stainless steel A4	bright	70	M6	12	0	2	3,3	2,5	12	4
K0708.606X16	stainless steel A4	bright	70	M6	16	0	2	3,3	2,5	12	4
K0708.606X20	stainless steel A4	bright	70	M6	20	0	2	3,3	2,5	12	4
K0708.606X25	stainless steel A4	bright	70	M6	25	0	2	3,3	2,5	12	4
K0708.606X30	stainless steel A4	bright	70	M6	30	0	2	3,3	2,5	12	4
K0708.606X35	stainless steel A4	bright	70	M6	35	0	2	3,3	2,5	12	4
K0708.606X40	stainless steel A4	bright	70	M6	40	11	16	3,3	2,5	12	4
K0708.606X45	stainless steel A4	bright	70	M6	45	16	21	3,3	2,5	12	4
K0708.606X50	stainless steel A4	bright	70	M6	50	21	26	3,3	2,5	12	4
K0708.606X60	stainless steel A4	bright	70	M6	60	31	36	3,3	2,5	12	4
K0708.608X16	stainless steel A4	bright	70	M8	16	0	2,5	4,4	3,5	16	5
K0708.608X20	stainless steel A4	bright	70	M8	20	0	2,5	4,4	3,5	16	5
K0708.608X25	stainless steel A4	bright	70	M8	25	0	2,5	4,4	3,5	16	5
K0708.608X30	stainless steel A4	bright	70	M8	30	0	2,5	4,4	3,5	16	5
K0708.608X35	stainless steel A4	bright	70	M8	35	0	2,5	4,4	3,5	16	5
K0708.608X40	stainless steel A4	bright	70	M8	40	0	2,5	4,4	3,5	16	5
K0708.608X45	stainless steel A4	bright	70	M8	45	0	2,5	4,4	3,5	16	5
K0708.608X50	stainless steel A4	bright	70	M8	50	15,75	22	4,4	3,5	16	5
K0708.608X60	stainless steel A4	bright	70	M8	60	25,75	32	4,4	3,5	16	5
K0708.610X16	stainless steel A4	bright	70	M10	16	0	3	5,5	4,4	20	6
K0708.610X20	stainless steel A4	bright	70	M10	20	0	3	5,5	4,4	20	6
K0708.610X25	stainless steel A4	bright	70	M10	25	0	3	5,5	4,4	20	6
K0708.610X30	stainless steel A4	bright	70	M10	30	0	3	5,5	4,4	20	6
K0708.610X35	stainless steel A4	bright	70	M10	35	0	3	5,5	4,4	20	6
K0708.610X40	stainless steel A4	bright	70	M10	40	0	3	5,5	4,4	20	6
K0708.610X45	stainless steel A4	bright	70	M10	45	0	3	5,5	4,4	20	6
K0708.610X50	stainless steel A4	bright	70	M10	50	0	3	5,5	4,4	20	6
K0708.610X60	stainless steel A4	bright	70	M10	60	20,5	28	5,5	4,4	20	6
K0708.610X70	stainless steel A4	bright	70	M10	70	30,5	38	5,5	4,4	20	6
K0708.612X20	stainless steel A4	bright	70	M12	20	0	3,5	6,5	4,6	24	8
K0708.612X25	stainless steel A4	bright	70	M12	25	0	3,5	6,5	4,6	24	8
K0708.612X30	stainless steel A4	bright	70	M12	30	0	3,5	6,5	4,6	24	8
K0708.612X35	stainless steel A4	bright	70	M12	35	0	3,5	6,5	4,6	24	8
K0708.612X40	stainless steel A4	bright	70	M12	40	0	3,5	6,5	4,6	24	8
K0708.612X45	stainless steel A4	bright	70	M12	45	0	3,5	6,5	4,6	24	8
K0708.612X50	stainless steel A4	bright	70	M12	50	0	3,5	6,5	4,6	24	8
K0708.612X60	stainless steel A4	bright	70	M12	60	0	3,5	6,5	4,6	24	8
K0708.612X70	stainless steel A4	bright	70	M12	70	25,25	34	6,5	4,6	24	8
K0708.612X80	stainless steel A4	bright	70	M12	80	35,25	44	6,5	4,6	24	8
K0708.616X30	stainless steel A4	bright	70	M16	30	0	4	7,5	5,3	30	10
K0708.616X35	stainless steel A4	bright	70	M16	35	0	4	7,5	5,3	30	10
K0708.616X40	stainless steel A4	bright	70	M16	40	0	4	7,5	5,3	30	10
K0708.616X45	stainless steel A4	bright	70	M16	45	0	4	7,5	5,3	30	10
K0708.616X50	stainless steel A4	bright	70	M16	50	0	4	7,5	5,3	30	10
K0708.616X60	stainless steel A4	bright	70	M16	60	0	4	7,5	5,3	30	10
K0708.616X70	stainless steel A4	bright	70	M16	70	0	4	7,5	5,3	30	10
K0708.616X80	stainless steel A4	bright	70	M16	80	22	32	7,5	5,3	30	10

