

## Stainless steel cap nuts with collar for Hygienic USIT® seal and shim washers

Item description/product images



### Description

#### Product description:

A cavity-free seal can only be assured in combination with the Hygienic USIT® seal and shim washer. The polished cap nuts have a surface finish of  $Ra < 0.8 \mu\text{m}$ . Internal transition areas with a minimum radius of 3 mm are also provided, preventing dirt particles from adhering to the components and ensuring easy cleaning.

The cap nut with collar for Hygienic USIT® seal and shim washers is ideal for fastening in sterile areas and also conform to EHEDG regulations, something that is confirmed with the relevant certificate.

#### Material:

Stainless steel 1.4404.

#### Version:

Polished.

#### Note:

The EHEDG certificate is only valid when a specifically matched Hygienic USIT® seal and shim washer K1491 is used.

#### On request:

Special versions.

#### Accessory:

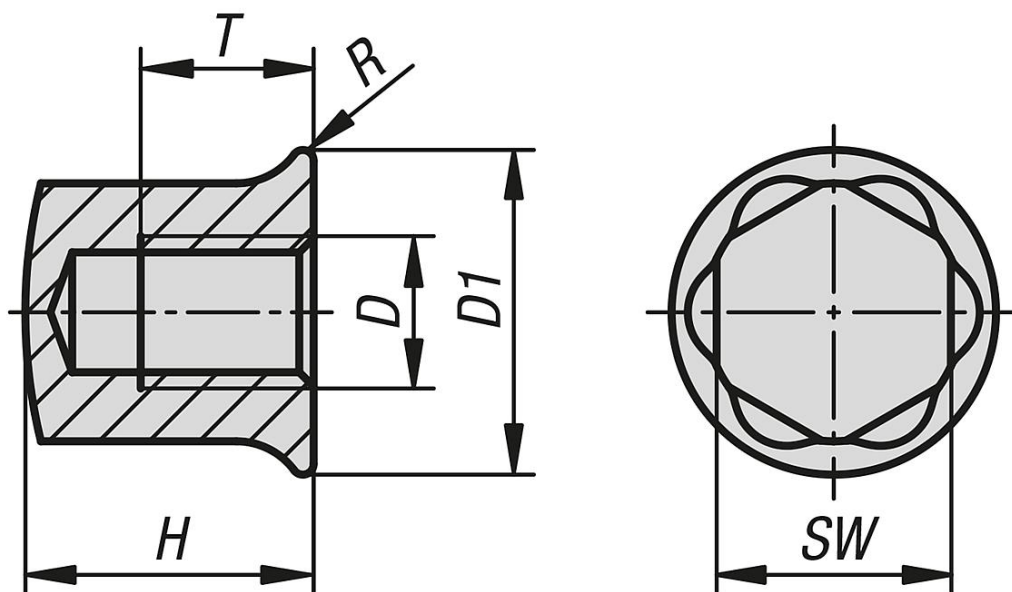
Hygienic USIT® seal and shim washer K1491.

Hexagon head bolts with collar K1492.

Sockets with plastic inserts K1361.

Ring/open-end spanner with protective caps K1362.

### Drawings



# Stainless steel cap nuts with collar for Hygienic USIT® seal and shim washers

## Overview of items

### Stainless steel cap nuts with collar for Hygienic USIT® seal and shim washers

Order No.	D	D1	H	R	SW	T
K1493.04	M4	10,8	9	0,45	7	4,8
K1493.05	M5	11,8	11	0,5	8	6
K1493.06	M6	14	13	0,55	10	7,2
K1493.08	M8	18	16	0,6	13	9,6
K1493.10	M10	22	20	0,75	16	12
K1493.12	M12	26,6	23	0,9	18	14,4
K1493.16	M16	35	30	1,2	24	19,2