

Stainless steel cap nuts with collar and seal and shim washer for Hygienic USIT® set

Item description/product images



Description

Product description:

Set: cap nut with collar K1493 + Hygienic USIT® seal and shim washer K1491.

Only the combination of a cap nut with collar and the Hygienic USIT® seal and shim washer assures a cavity-free seal.

The cap nut with collar for Hygienic USIT® seal and shim washers is ideal for fastening in sterile areas and also conform to EHEDG regulations, which is confirmed with the relevant certificate.

Material:

Cap nut: stainless steel 1.4404.

Washer: stainless steel 1.4404.

Seal ring:

75 EPDM 295 (black).

70 EPDM 253815 (white).

75 Fluoroprene® XP 45 (blue).

Version:

Cap nut: polished.

Note:

The EHEDG certificate is only valid when a combination of cap nut with collar K1493 and specially matched Hygienic USIT® seal and shim washer K1491 is used.

Attention:

The function of the Hygienic USIT® screw connection system has been tested in combination with stainless steel materials and standard cleaning materials. The user must check that it is suitable for the application in question.

Accessory:

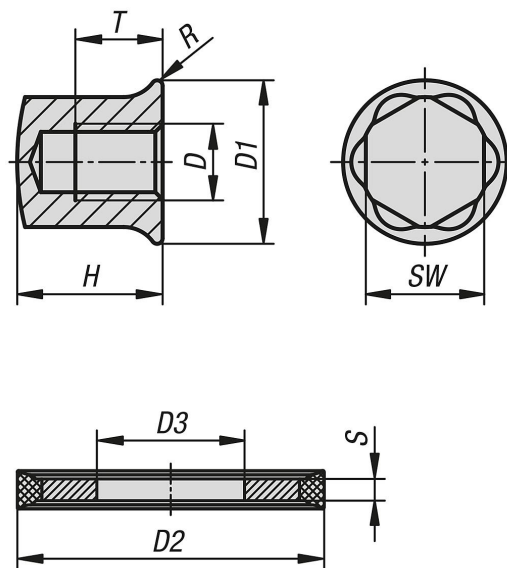
Hexagon head screw with collar K1492.

Sockets with plastic inserts K1361.

Ring/open-end spanner with protective caps K1362.

Stainless steel cap nuts with collar and seal and shim washer for Hygienic USIT® set

Drawings



Overview of items

Stainless steel cap nuts with collar and seal and shim washer for Hygienic USIT® set

Order No.	Component material	Component colour	D	D1	D2	D3	H	R	S	SW	T	Approval / Certification
K1594.041	75 EPDM 295	black	M4	10,8	9,7	4,1	9	0,45	1	7	4,8	EHEDG
K1594.051	75 EPDM 295	black	M5	11,8	10,7	5,1	11	0,5	1	8	6	EHEDG
K1594.061	75 EPDM 295	black	M6	14	13,1	6,1	13	0,55	1	10	7,2	EHEDG
K1594.081	75 EPDM 295	black	M8	18	16,9	8,1	16	0,6	1	13	9,6	EHEDG
K1594.101	75 EPDM 295	black	M10	22	21,2	10,1	20	0,75	1,5	16	12	EHEDG
K1594.121	75 EPDM 295	black	M12	26,6	25,5	12,1	23	0,9	1,5	18	14,4	EHEDG
K1594.161	75 EPDM 295	black	M16	35	33,9	16,1	30	1,2	1,5	24	19,2	EHEDG
K1594.042	70 EPDM 253815	white	M4	10,8	9,7	4,1	9	0,45	1	7	4,8	EHEDG
K1594.052	70 EPDM 253815	white	M5	11,8	10,7	5,1	11	0,5	1	8	6	EHEDG
K1594.062	70 EPDM 253815	white	M6	14	13,1	6,1	13	0,55	1	10	7,2	EHEDG
K1594.082	70 EPDM 253815	white	M8	18	16,9	8,1	16	0,6	1	13	9,6	EHEDG
K1594.102	70 EPDM 253815	white	M10	22	21,2	10,1	20	0,75	1,5	16	12	EHEDG
K1594.122	70 EPDM 253815	white	M12	26,6	25,5	12,1	23	0,9	1,5	18	14,4	EHEDG
K1594.162	70 EPDM 253815	white	M16	35	33,9	16,1	30	1,2	1,5	24	19,2	EHEDG
K1594.044	fluoroprene XP 45	blue	M4	10,8	9,7	4,1	9	0,45	1	7	4,8	EHEDG
K1594.054	fluoroprene XP 45	blue	M5	11,8	10,7	5,1	11	0,5	1	8	6	EHEDG
K1594.064	fluoroprene XP 45	blue	M6	14	13,1	6,1	13	0,55	1	10	7,2	EHEDG
K1594.084	fluoroprene XP 45	blue	M8	18	16,9	8,1	16	0,6	1	13	9,6	EHEDG
K1594.104	fluoroprene XP 45	blue	M10	22	21,2	10,1	20	0,75	1,5	16	12	EHEDG
K1594.124	fluoroprene XP 45	blue	M12	26,6	25,5	12,1	23	0,9	1,5	18	14,4	EHEDG
K1594.164	fluoroprene XP 45	blue	M16	35	33,9	16,1	30	1,2	1,5	24	19,2	EHEDG